



Please verify the contents of the packages!

Please read instructions entirely before starting installation

Be sure power is turned off before installing or modifying the system

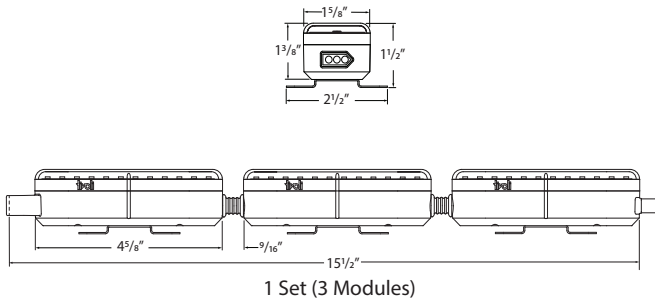
Call Tivoli, LLC tech support with questions

Caution: Covelum ID™ LED is designed to work with clean 120V AC power (277V AC with optional step-down transformer). Use of any other power source will cause damage, shorten the life of the fixture and will void the warranty. It is recommended that power is conditioned or regulated with surge protection.

Consult any and all applicable local and national codes for installation.

Do not conceal or extend exposed conductors through a building wall as per local electrical code.

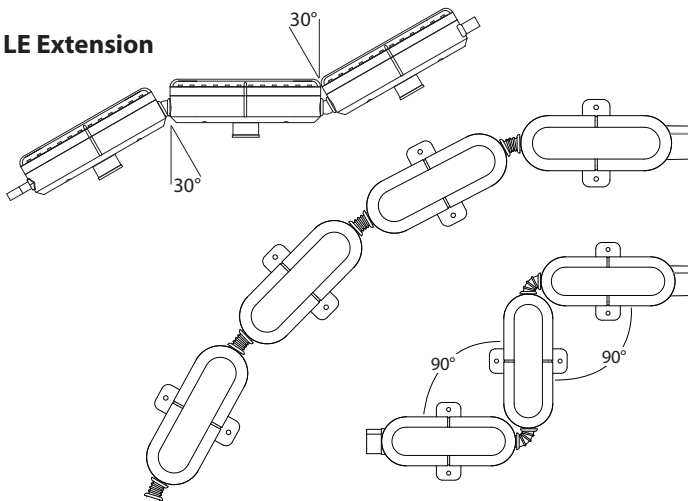
Warning: With any luminaire for any application, basic safety precautions should always be followed to reduce the risk of fire, electric shock and personal injuries.



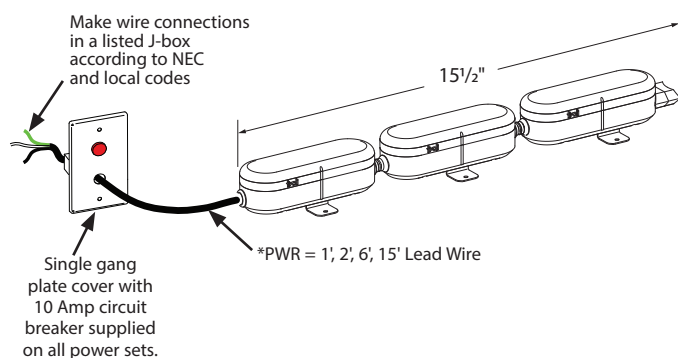
Installation Instructions

Step 1: Measure and lay out lighting design. The LE extension offers maximum flexibility for the widest range of layout possibilities. Use LE6 Extensions for longer, straight runs.

LE Extension

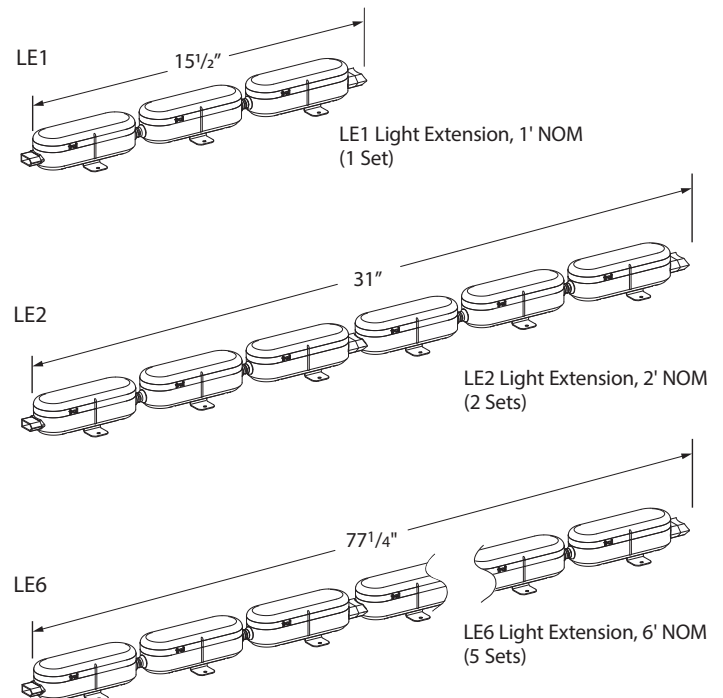


Step 2: Determine position of power feed. There are multiple Power Set options available. Use the power set option with the lead wire length that fits your layout.



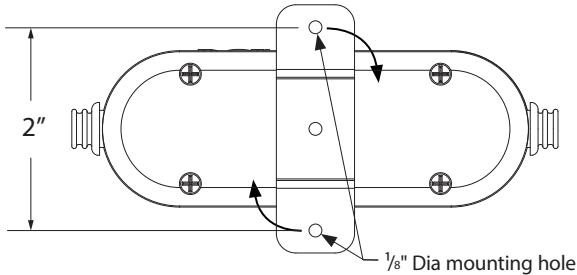
Step 2: Position Light extensions according to design layout. Connect the module at the end of the the power set to the first module of the first light extension by plugging the quick-connects together. Plug and play connections between module sets allow for fast and easy installation.

Note: 1 set contains 3 modules.



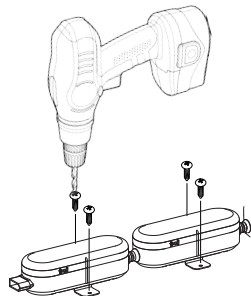
Installation Instructions (Continued):

Step 3: Rotate the mounting foot under each module until it is perpendicular to the module body. The ends of the feet can be bent to install on angled surfaces.

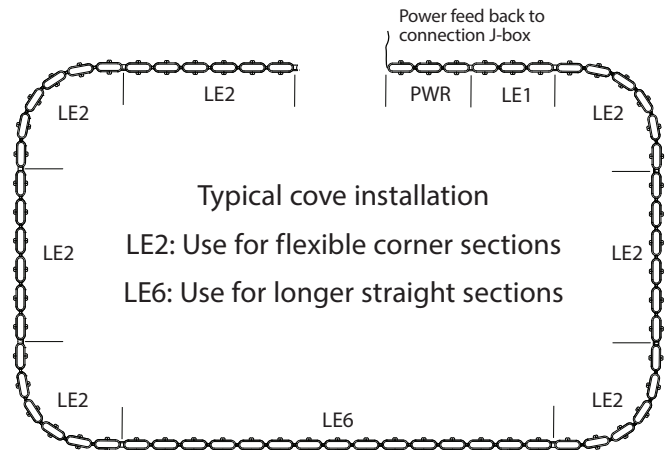
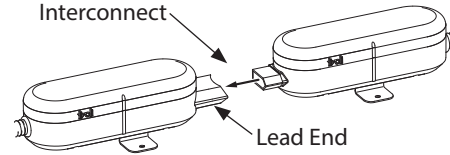


Step 4: Fasten to mounting surface with #6 screws (by others) once layout is complete and modules are in the correct position.

Step 5: Connect Covelum ID™ Power Set to power lead at junction box.



Plug and play connections between modules allow for fast and easy installation.

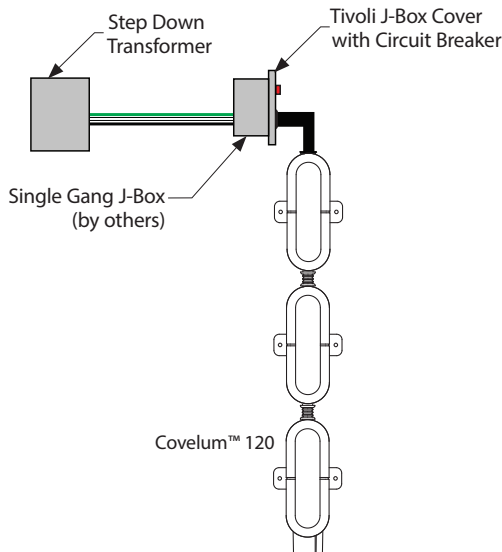


Step Down Transformer

STEP DOWN TRANSFORMER					
CATEGORY NUMBER	TRANSFORMER	RATED VA	LISTING	ELECTRONIC OR AC MAGNETIC	DIMMABLE (Y OR N)
SC-250-277120A-SD	Step-Down Transformer 0.25 KVA 277V AC Primary / 120V AC Secondary	0.25 KVA	UL/ETL	Magnetic	Y
SC-500-277120A-SD	Step-Down Transformer 0.5 KVA 277 V AC Primary / 120V AC Secondary	0.5 KVA	UL/ETL	Magnetic	Y
SC-1000-277120A-SD	Step-Down Transformer 1 KVA 277 V AC Primary / 120 V AC Secondary	1 KVA	UL/ETL	Magnetic	Y

NOTE: Tivoli recommends loading the transformer no more than 90% capacity based on unknown installation environment.

For installation, leave no less than 6" perimeter for ventilation. Consult installation instructions supplied with Power Supply for specifics.



Warnings:

- Do not cover any luminaire, as the covering may cause it to overheat.
- Do not install any luminaire closer than 6 inches (15.25 cm) from any curtain, or similar combustible material.
- Do not use any luminaire if damaged; such as, broken globe, loose connections, or frayed wire insulation. Inspect periodically.
- Do not submerge any luminaire in liquid.
- Do not secure any luminaire with staples, nails or like means that might damage the wire insulation. Secure it by using screws through swivel mounting feet.
- Do not run any luminaire at an operating temperature exceeding 65° C or 149° F.