

Please verify the contents of the packages!
Please read instructions entirely before starting installation
Be sure power is turned off before installing or modifying the system

Call Tivoli, LLC tech support with questions

Caution: Covelum™ Designer Series is designed to work with listed Class 1 and Class 2 12V DC transformers only. Use of any other power source will cause damage, shorten the life of the fixture and will void the warranty.

Consult any and all applicable local and national codes for installation.

Do not conceal or extend exposed conductors through a building wall as per local electrical code.

Warning: With any luminaire for any application, basic safety precautions should always be followed to reduce the risk of fire, electric shock and personal injuries. This lighting system should be installed by a certified professional.



Installation Instructions:

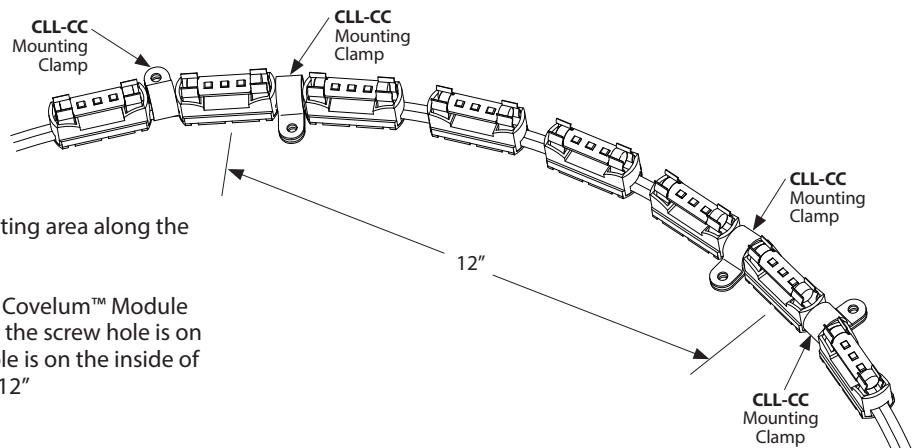
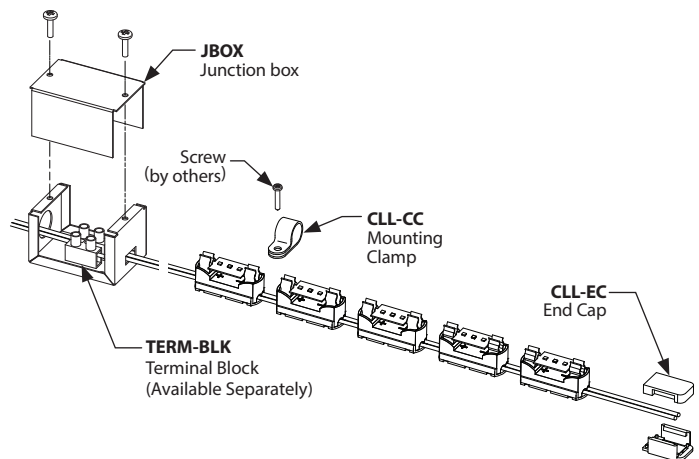
Option 1: Module Strand

Module strands are the recommended choice for mounting in hidden from view spaces (ie. coves). Product is field cuttable and is shipped in specific lengths (see max run on pg 2).

Step 1: Lay the measured and cut sections along mounting area.

Step 2: Secure with **CLL-CC** Cable Clamps positioned every 12" OC in case of table top application, every 6" OC or more in wall or ceiling applications to avoid light distortion from sagging. Secure with screws (by others).

Step 3: Connect lead end of Covelum™ strand to **TERM-BLK** Terminal Block inside **JBOX** Junction Box and install a **CLL-EC** End Cap on the trail end of the strand.



Mounting on a Curve

Step 1: Lay the Covelum strand along the mounting area along the curve.

Step 2: Attach a Cable Clamp on either side of a Covelum™ Module near the beginning of the curve. Position one so the screw hole is on the outside of the curve and the other so the Hole is on the inside of the curve. Attach two more Cable clamps every 12" around the curved area.

Step 3: Secure all Cable Clamps with screws (by others).

Option 2: Mounting channel

Optional Mounting Channel is the recommended choice if mounting location is visually exposed.

Step 1: Measure and cut mounting channel from supplied 8 ft lengths to fit full length of application mounting area.

Step 2: Install Mounting Channel by applying screws every 12" OC (supplied by others) with countersink heads appropriate for mounting surface, ie: wood screws for wood.

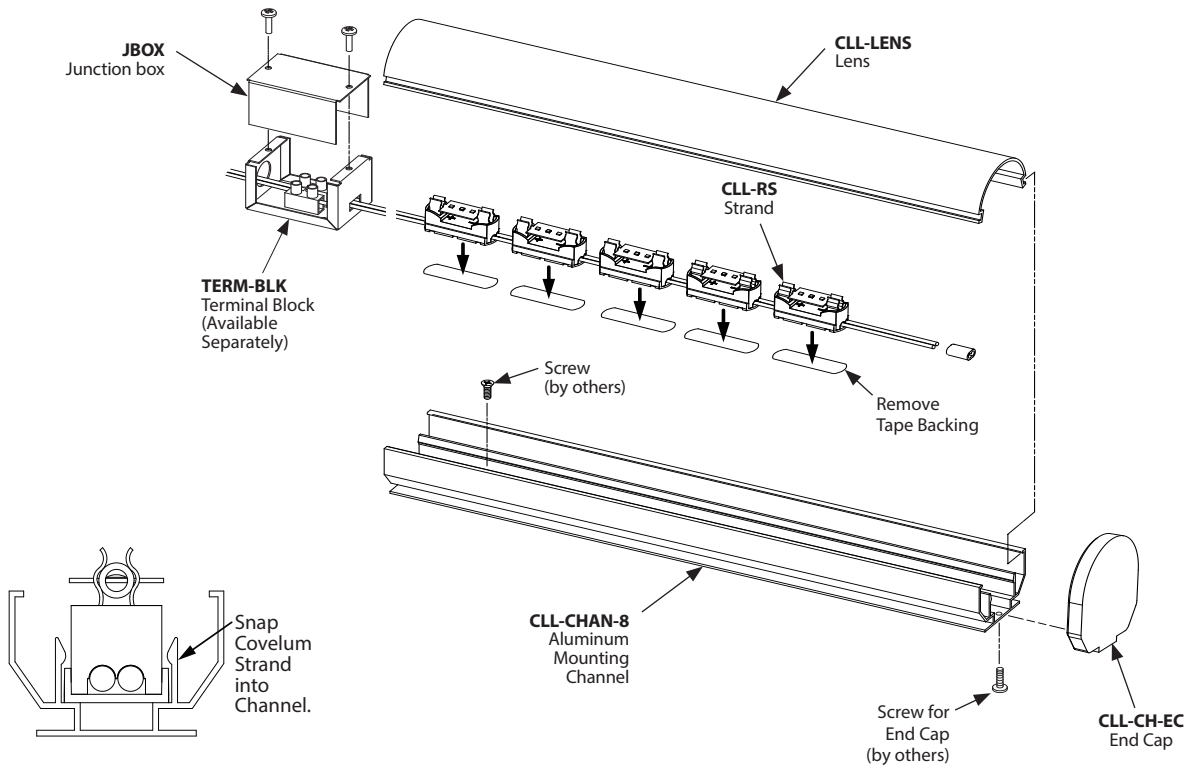
Step 4: Cut Module Strand to correct length to fit into Mounting Channel.

Step 5: Remove Tape Backing from the bottom of each Covelum™ Module and snap Module Strand into mounting channel.

Step 6: Install optional lens into mounting channel if needed.

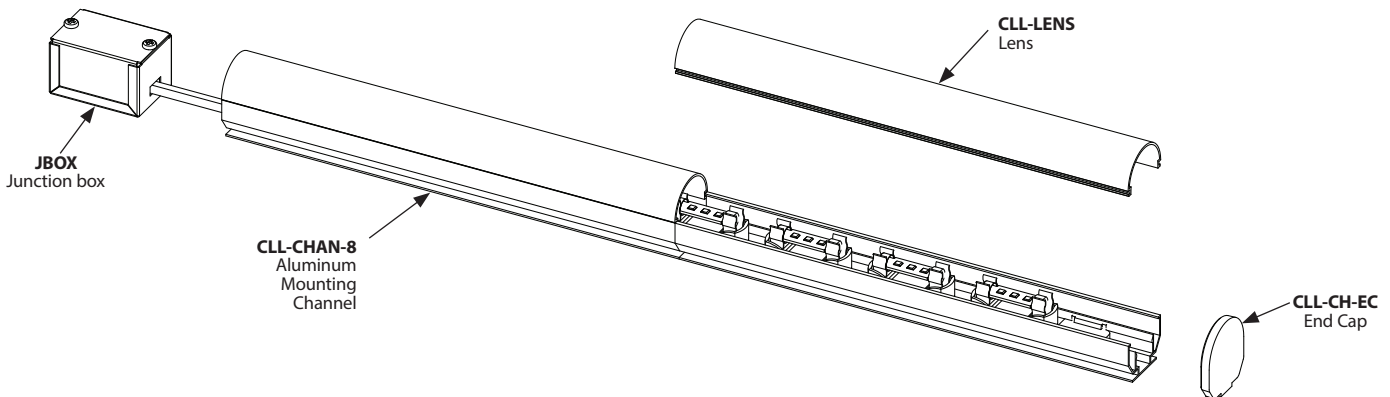
Step 7: Tap a hole near edge of mounting Channel and tap a matching hole in foot of End Cap. Insert end caps, secure with screws (by others).

Step 8: Connect lead end of Covelum™ strand to **TERM-BLK** Terminal Block inside **JBOX** Junction Box and install a **LS-EC-WH** End Cap on the trail end of the strand.



Maximum Continuous Runs:

Mounting Channel is supplied in 8' sections. for Longer runs, butt Mounting Channels together and attach an End Cap at the end of the run.



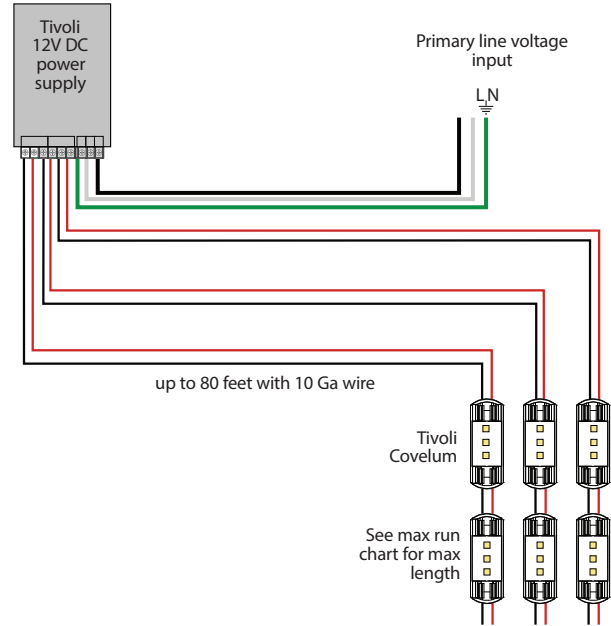
Product Specification Guide

SPACING	WATTS PER FOOT	PRODUCT MAX RUN LIMITATIONS (Ft/W/LED's)
DESIGNER MODEL SERIES		
2.5" OC	4.3W/ft	25' 120W per 15A Class I circuit 13' 60W per 5A Class II circuit
3" OC	3.6W/ft	30' 120W per 15A Class I circuit 15' 60W per 5A Class II circuit
4" OC	2.7W/ft	40' 120W per 15A Class I circuit 20' 60W per 5A Class II circuit

Wiring Size:

Installer calculates wire size between load and power supply to avoid voltage drop.

The wire sizing from the transformer to the light strings must be carefully calculated in order for low voltage circuits to operate properly. Tivoli recommends locating the transformer as close to the light string as possible. Use 10 gauge wire and keep the transformer within 80 ft of the fixture.



Warnings

Do not cover any luminaire as the covering may cause it to overheat.
 Do not install this lighting system where the exposed bare contacts can be shorted or contact any conductive material to reduce the risk of fire and burns.
 Do not install any luminaire closer than 6" (15.25cm) from any curtain, or similar combustible material.
 Do not use any luminaire if damaged; such as, broken globe, loose

connections, or frayed wire insulation. Inspect periodically.
 Do not submerge any luminaire in liquid. Use waterproof connectors for all outdoor applications.
 Do not secure any luminaire with staples, nails or like means that might damage the wire insulation. Secure it by using screws through the base.
 Do not run any luminaire at an operating temperature exceeding 65° C or 149° F.

Power Supply

There are many possible options for powering and dimming Covelum DM™. This product is designed to be used with listed Class 1 and Class 2 12V power supplies. See the Specification Sheet for more information. Please refer to the Installation Instruction for the power supply you choose for detailed wiring instructions.