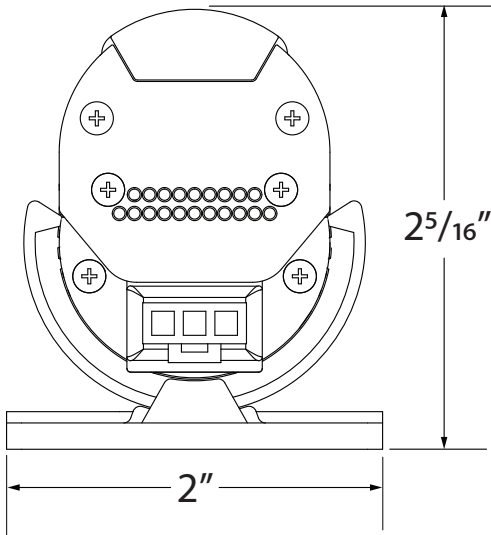


Profile Dimensions



**Please verify the contents of the packages!
Please read instructions entirely before starting installation**

Be sure power is turned off before installing or modifying the system

Call Tivoli, LLC tech support with questions

Caution: TivoGraze™ fixture is designed to work with clean 100-277V AC power only. Use of any other power source will cause damage, shorten the life of the fixture and will void the warranty.

Do not conceal or extend exposed conductors through a building wall as per local electrical code.

Warning: With any luminaire for any application, basic safety precautions should always be followed to reduce the risk of fire, electric shock and personal injuries.

THIS LIGHTING SYSTEM MUST BE INSTALLED IN ACCORDANCE WITH APPLICABLE INSTALLATION CODES BY A PERSON FAMILIAR WITH THE CONSTRUCTION AND OPERATION OF THE PRODUCT AND THE HAZARDS INVOLVED.

CE PRODUIT DOIT ÊTRE INSTALLÉ SELON LE CODE D'INSTALLATION PERTINENT, PAR UNE PERSONNE QUI CONNAÎT BIEN LE PRODUIT ET SON FONCTIONNEMENT AINSI QUE LES RISQUES INHÉRENTS.

Installation Instructions



Pre-Installation Instructions

⚠ WARNING! Risk of Electrical Shock.
Disconnect power before installing, wiring or servicing fixtures. Fixture has no user-serviceable parts. Do not open fixture compartments, except as noted in this document. Do not apply paint, lubricants or other coatings to fixture, suspension cables or fasteners.

Pour éviter les risques de chocs électriques, débranchez l'alimentation avant l'installation, le câblage ou l'entretien des luminaires.

Le luminaire ne comprend aucun élément réparable par l'utilisateur. N'ouvrez pas les compartiments du luminaire, sauf indication contraire dans ce document.

N'appliquez pas de peinture, de lubrifiants ou d'autres revêtements sur le luminaire, les câbles de suspension ou les attaches.

Note: TivoGraze™ is offered in 12" and 48" lengths. Pay close attention to the installation requirements for the model you are installing.

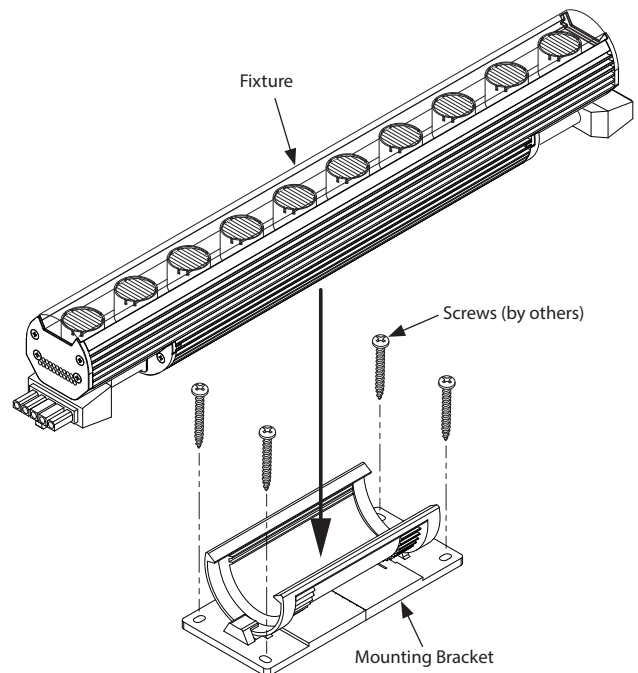
Step 1: Verify electrical plan and ensure all hardware is present. Plan layout for single or multiple fixtures. TivoGraze™ is rated for dry/damp locations and maximum run length is 48'. Fixtures may be connected together with no jumpers or they may be spaced apart using available 1' or 5' Jumpers. (See page 2, Installing Multiple Fixtures)

Step 2: Position fixture on mounting surface and mark off mounting holes.

48" model: Includes two Mounting Brackets. Slide brackets along fixture until there is 36" between centers of brackets.

Installing the Fixture

Step 1: Install TivoGraze™ fixture to surface using pan-head screws for mounting plastic parts to wood or drywall (by others).

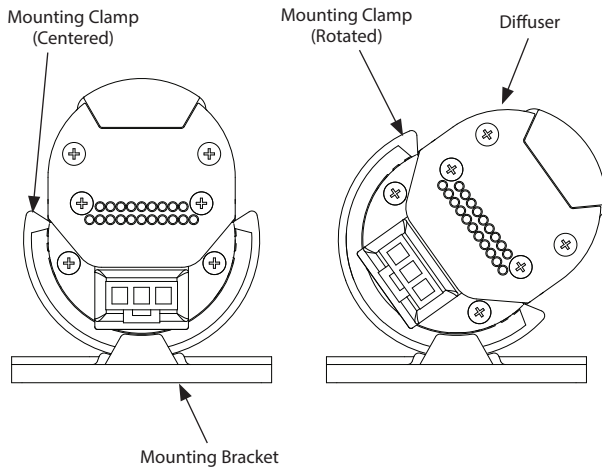


Installation Instructions (Continued)

Step 2: Rotate the adjustable mounting clamp on the Bracket to provide the best angle of illumination for the application. Grasp the fixture and carefully pull up slightly to disengage the teeth and rotate to the desired position.

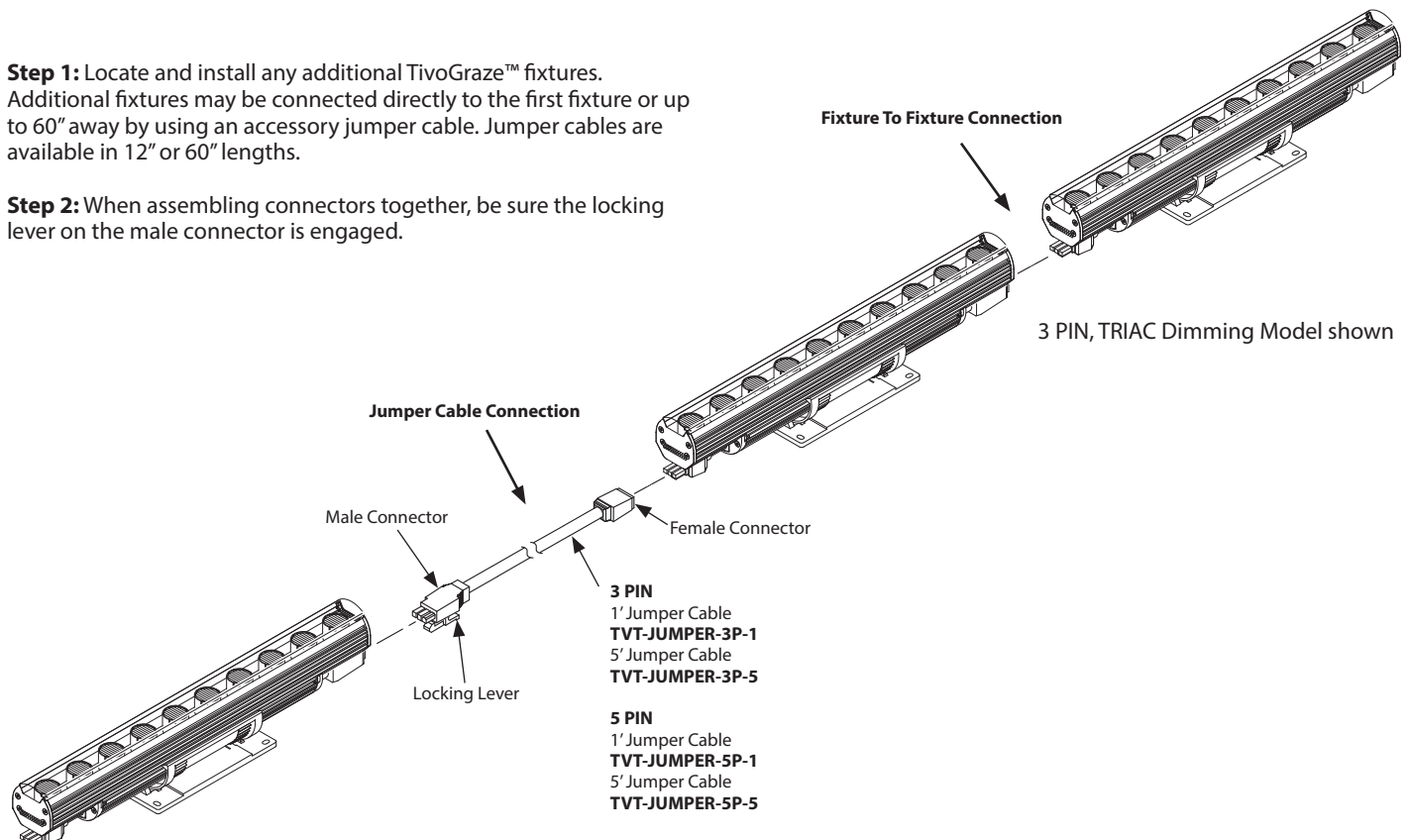
48" model: Match the angle of rotation on both Mounting Brackets.

Note: It may be easier to remove the fixture from the brackets and then rotate the brackets to the desired position.



Step 1: Locate and install any additional TivoGraze™ fixtures. Additional fixtures may be connected directly to the first fixture or up to 60" away by using an accessory jumper cable. Jumper cables are available in 12" or 60" lengths.

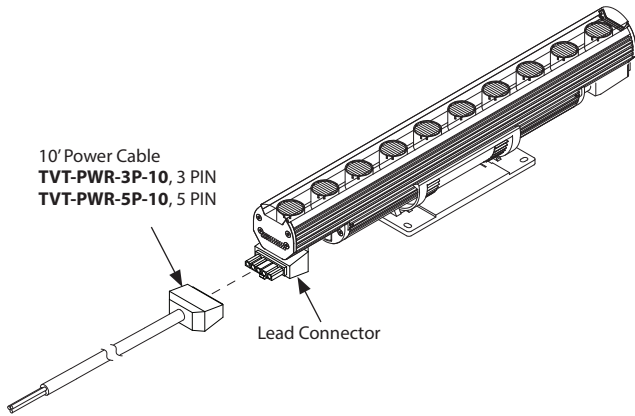
Step 2: When assembling connectors together, be sure the locking lever on the male connector is engaged.



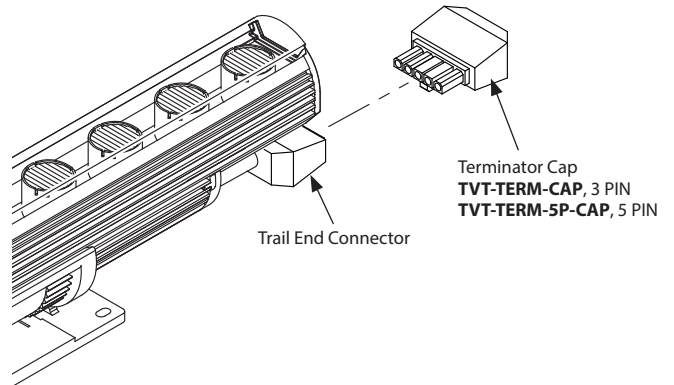
Connecting To Line Voltage

Connecting to 120V AC Power

Step 1: Connect the accessory Power Cable (10') to the male connector on the lead TivoGraze™ unit.



Step 2: Insert Terminator Cap into the female Trail End Connector.

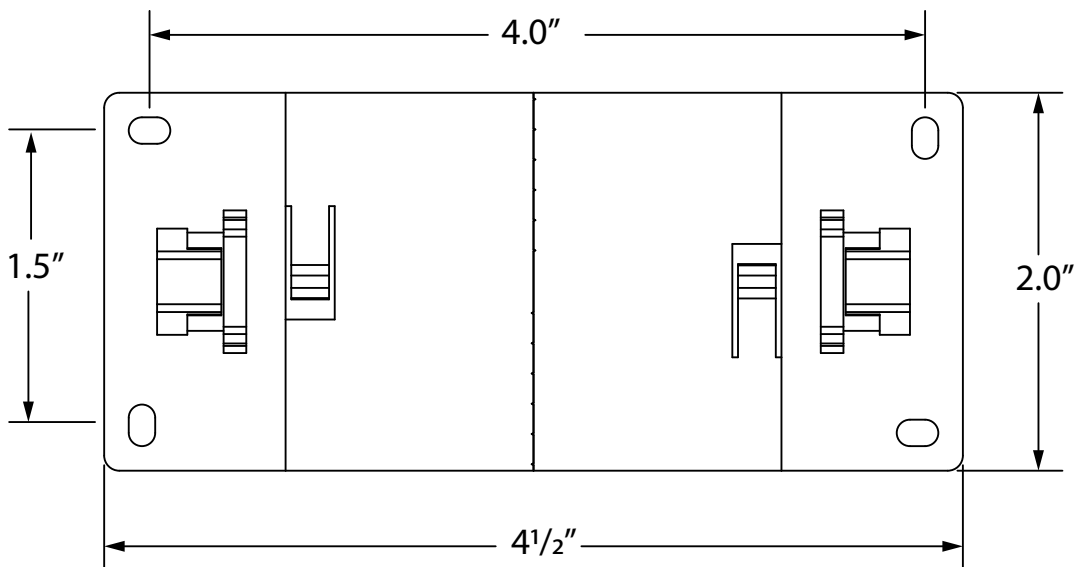


⚠ WARNING! Danger of Electrical Shock. Be sure power is turned off before proceeding.

Step 3: Connect Power Cable wires to 100-277V AC line .
 Green: Ground
 White: Common
 Black: Line
 Red: Dimming +
 Orange: Dimming -

Step 4: Restore power.

Mounting Bracket Installation Template



ACTUAL SIZE