

Please verify the contents of the packages!

Please read instructions entirely before starting installation

Be sure power is turned off before installing or modifying the unit.

Call Tivoli, LLC tech support with questions

Caution: This Power Supply is designed to work on 100V/277V AC line voltage. Use of any other power source will cause damage and will void the warranty. This Power Supply is certified for Class 2 applications.

Consult any and all applicable local and national codes for installation.

Do not conceal or extend exposed conductors through a building wall as per local electrical code.

Warning: Basic safety precautions should always be followed to reduce the risk of fire, electric shock and personal injuries. This power supply should be installed by a certified professional.



Product Specifications

Product Features

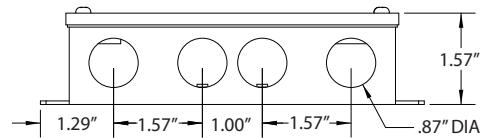
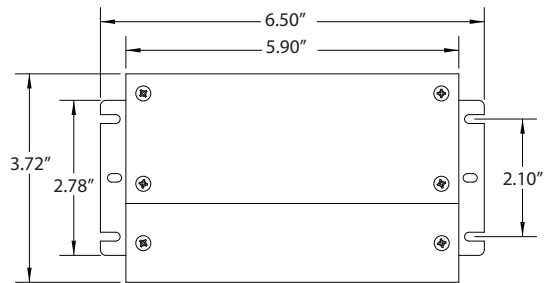
- Constant Voltage Output
- Universal 100-277VAC Input
- Single Circuit
- Power Factor up to 0.99
- 10-100% load
- Variety of dimming options: ELV, MLV, TRIAC, 0-10V and PWM
- For Dry/Damp/Wet location
- Short circuit, Overload and over heat protection
- Flicker free

Warnings and Cautions

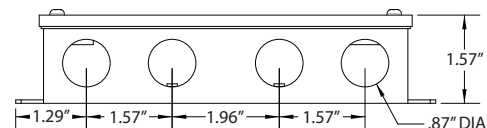
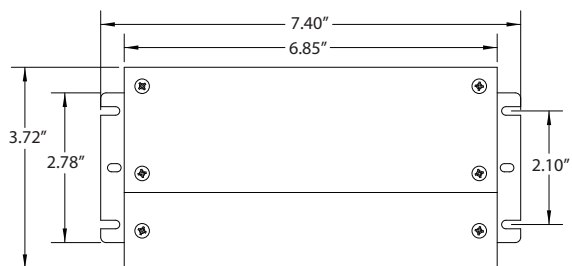
1. Risk of electrical shock and energy hazard. All failures should be examined by a qualified technician. Do not open the case of the power supply module.

2. Do not install LED power supplies in places with high ambient temperature or close to a fire source.

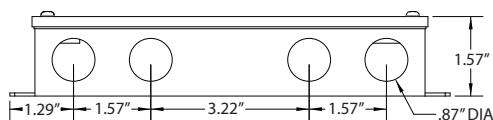
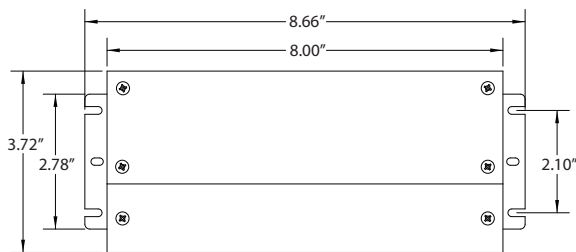
INF-J-30-1-2.5-12 INF-J-30-1-1.3-24



INF-J-60-1-5-12 INF-J-60-1-2.5-24



INF-J-96-1-4-24



Installation Instructions

Mounting Location Requirements

It is recommended that the enclosure be mounted with at least 10" of open space around it for proper ventilation. Do not mount next to or above heat radiating equipment. Operating under high ambient temperature may increase the internal temperature and will require a de-rating in output current. This power supply will operate efficiently between -40° C to +60° C with adequate ventilation. To extend the life of the power supply, refer to the derating chart and derate according to the temperature. The enclosure is rated for outdoor/wet applications.

Outdoor Installation:

Step 1: Locate Power Supply enclosure in a suitable outdoor location.

Note: For outdoor installation, mount case vertically with the knockouts along the bottom of the box.

Step 2: Note the spacing of the mounting holes when determining mounting location.

Step 3: Attach enclosure to rigid surface with 4 screws appropriate for mounting surface (by others).

Step 4: Knock out access holes as needed.

Step 5: Install strain reliefs (wire clamps) for ½" hole size. Input lead wires are 18AWG. Output lead wires are 14AWG.

Indoor Installation:

For Indoor Installation, the unit can be installed vertically, as with outdoor Installation, and it may be mounted horizontally or horizontally face-down for ceiling applications.

Connection

Open the wire compartment and remove knockouts for input and output. Install strain reliefs (wire clamps). Input and lead wires are **18AWG**. Output Lead Wires are **16AWG**.

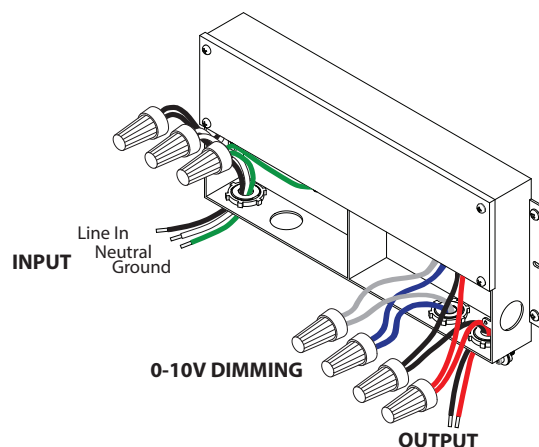
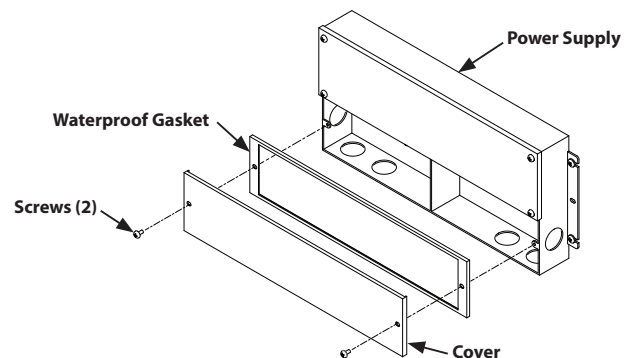
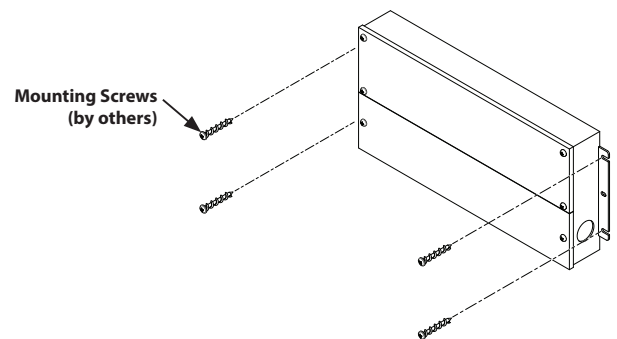
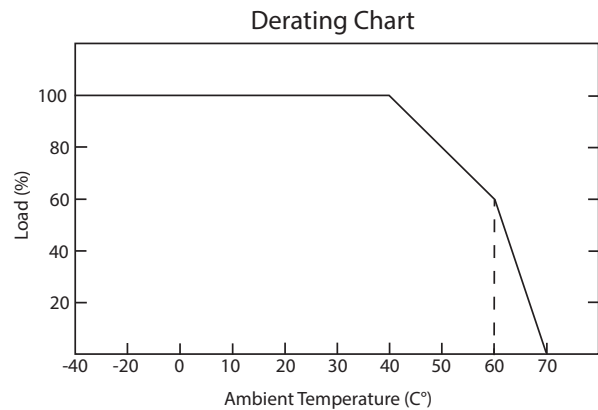
Input Connection: Bring Positive (Black) and Negative (White) Power Lines through Strain Relief on the input side of the driver. Connect to Black and White Driver Leads using the correct size and UL approved Wire Nuts. Connect the Ground Wire (Green) to a suitable ground. Waterproof Wire Nuts are recommended.

Output Connection: Bring luminaire wires through the Strain Relief on the output side of the Driver. Connect to the Red (+) and Black (-) Driver Leads. Use the correct size and UL approved Wire Nuts.

Caution: Make sure all connections are very tight.

Grounding: The LED driver is grounded to the enclosure. The enclosure in turn should be grounded in accordance with NEC and local code. Connect the green Driver wire to the ground.

Assembly: Replace Gasket and Cover.



Power Supply Specifications

CAT NO	APPLICATION	PRIMARY	SECONDARY	TOTAL WATTAGE / AMPS PER BREAKER	LISTING	DIMENSIONS	DIMMING
INF-J-30-1-2.5-12	Indoor / Outdoor	100V/277V AC	12V DC	30W / 2.5A	cULus	6.50"W X 3.72"L X 1.57"D	MLV / ELV / TRIAC / 0-10V
INF-J-30-1-1.3-24	Indoor / Outdoor	100V/277V AC	24V DC	30W / 1.3A	cULus	6.50"W X 3.72"L X 1.57"D	MLV / ELV / TRIAC / 0-10V
INF-J-60-1-5-12	Indoor / Outdoor	100V/277V AC	12V DC	60W / 5A	cULus	7.40"W X 3.72"L X 1.57"D	MLV / ELV / TRIAC / 0-10V
INF-J-60-1-2.5-24	Indoor / Outdoor	100V/277V AC	24V DC	60W / 2.5A	cULus	7.40"W X 3.72"L X 1.57"D	MLV / ELV / TRIAC / 0-10V
INF-J-96-1-4-24	Indoor / Outdoor	100V/277V AC	24V DC	96W / 4A	cULus	8.66"W X 3.72"L X 1.57"D	MLV / ELV / TRIAC / 0-10V

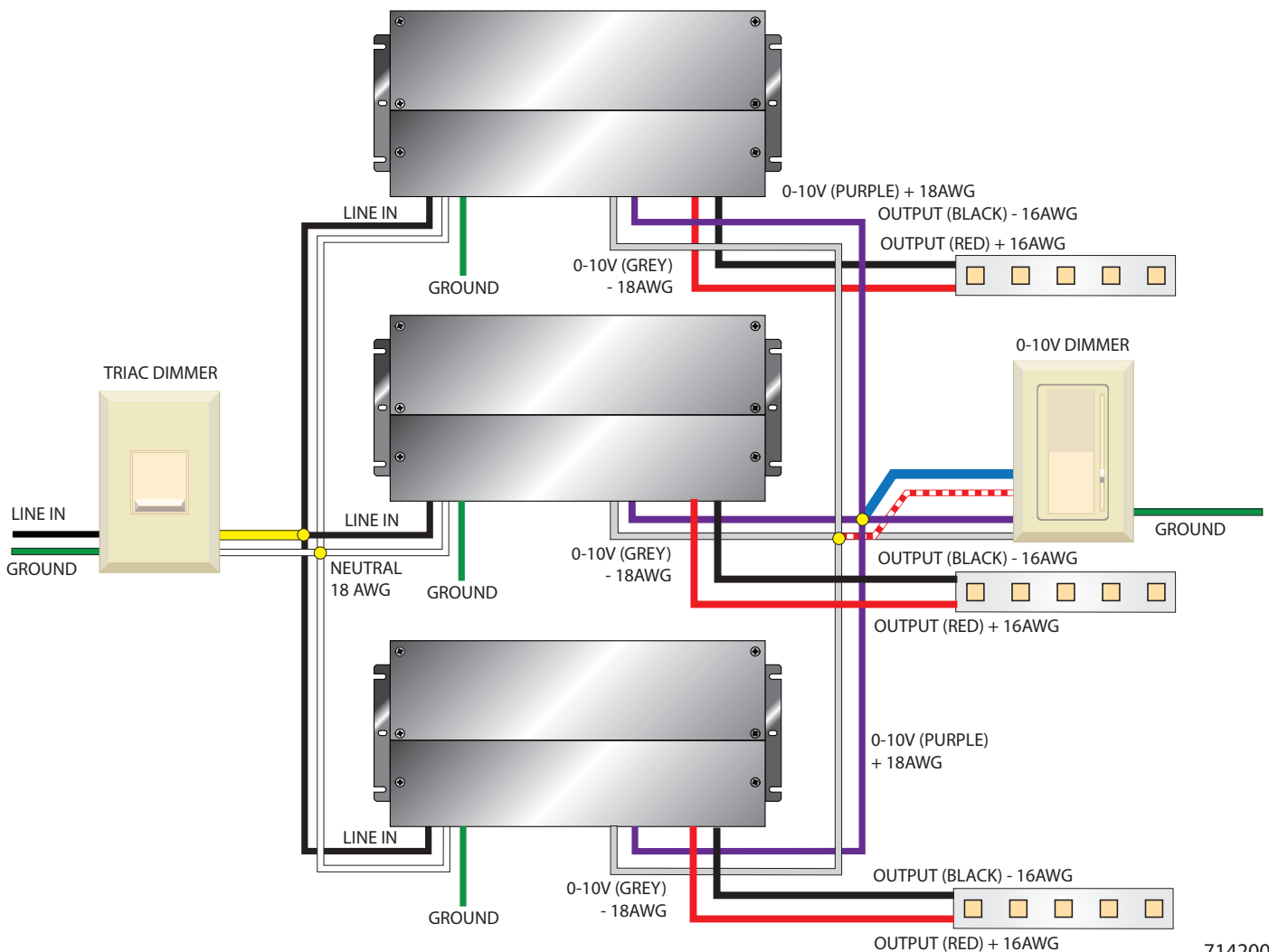
Infinity Single Circuit Wiring Diagrams

Wiring suggestion for Dual Dimmer and multiple power supplies.

Warning! Risk of fire .

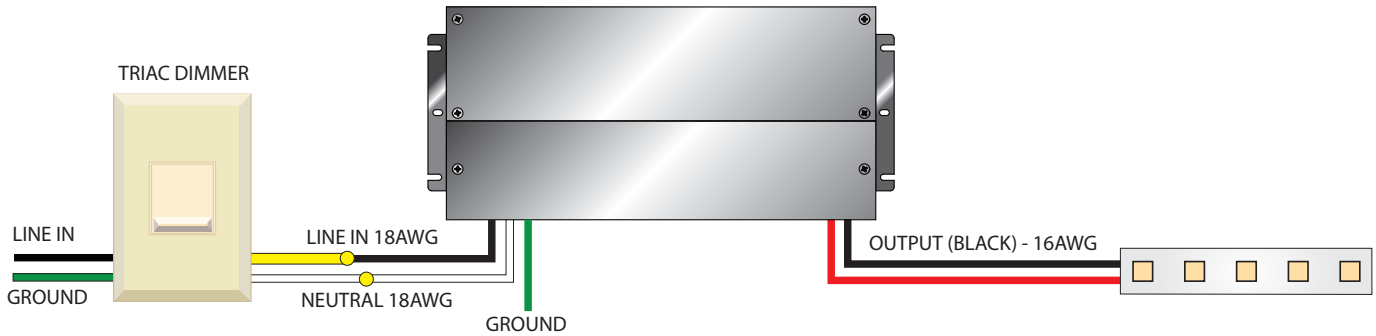
Do not exceed the maximum linear run specification of the luminaire for each circuit.

Note: Be sure dimming brightness is at 100% for both dimmers and then operate one dimmer or the other.



Infinity Single Circuit Wiring Diagrams (Continued)

TRIAC PRIMARY DIMMING



0-10V SECONDARY DIMMING

