

Please verify the contents of the packages!

Please read instructions entirely before starting installation.
Be sure power is turned off before installing or modifying the system.

Call Tivoli, LLC tech support with questions.

Caution: Monogram™ Surface Row Indicator is designed to work with listed Class 2 12V DC transformers only. Use of any other power source will cause damage, shorten the life of the fixture and will void the warranty.

Consult any and all applicable local and national codes for installation.

Do not conceal or extend exposed conductors through a building wall as per local electrical code.

Warning: With any luminaire for any application, basic safety precautions should always be followed to reduce the risk of fire, electric shock and personal injuries. This lighting system should be installed by a certified professional.

Installation Instructions



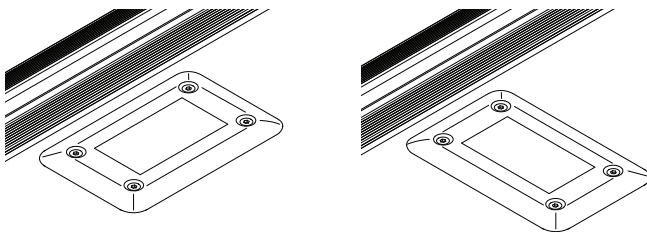
Monogram™ Surface Row Indicator can be mounted almost anywhere row indication or information is needed. The surface mount design allows for floor installation in carpeted areas or on the face of step risers. It also mounts to standard J-Box for wall applications.

Mounting applications:

1. Floor
2. Step Risers
3. Wall

Preparation for Surface Installation:

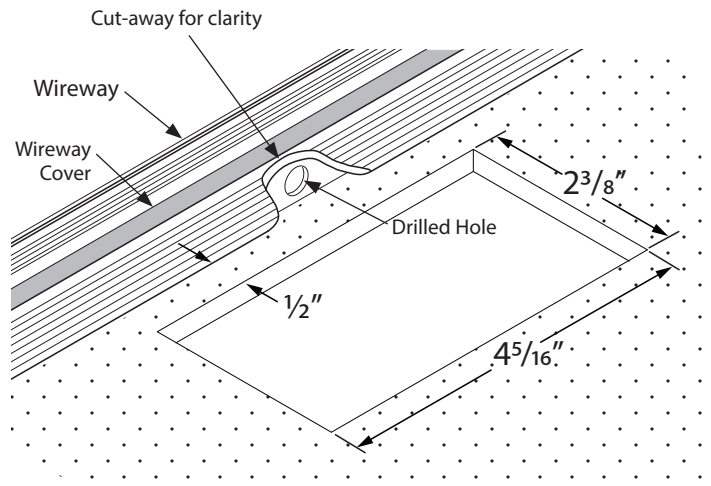
Step 1: The Monogram™ Row Indicator should be mounted on the floor near a wireway to allow connection to power. It may be mounted with the short edge or the long edge along the wireway, as shown.



Step 2: Determine location and orientation for Monogram™ unit. Cut a rectangular hole in the carpet to match the size of the Monogram™ base, as shown. The hole should be at least 1/2" away from the wireway to leave room for the Cover Plate.

Step 3: Remove wireway cover.

Step 4: Drill hole in side of wireway extrusion to accommodate wire from Monogram™ unit.



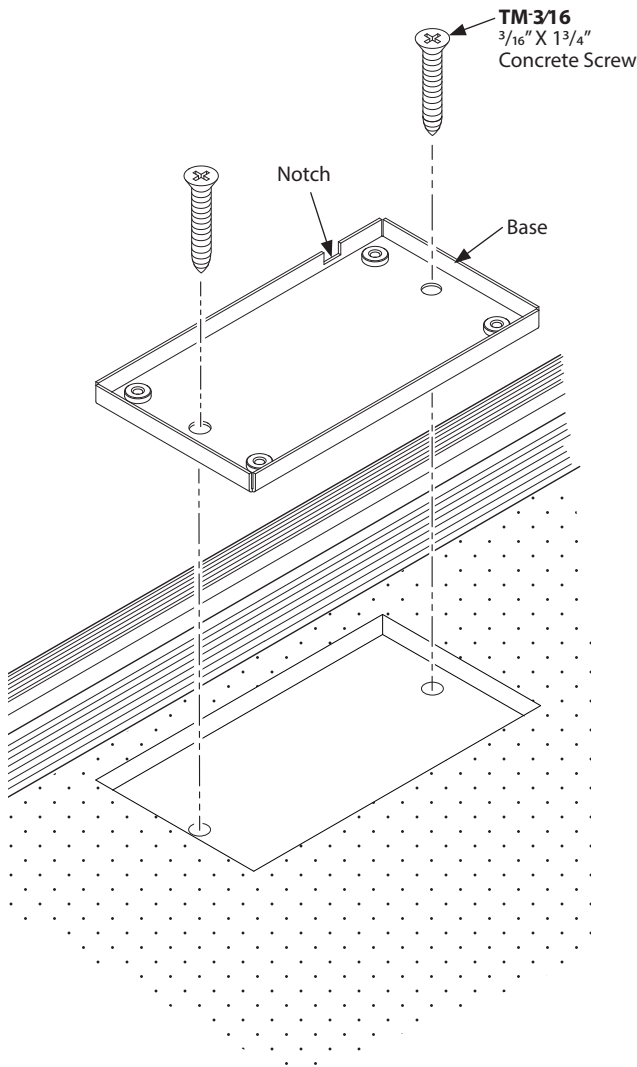
Installation Instructions (Continued)

Install Base

Step 1: Pre-position the base to use as a template to mark the location for two pilot holes.

Step 2: Drill pilot holes to accommodate appropriate screws for mounting material, ie: wood screws for wood, cement screws for cement (2 cement screws included).

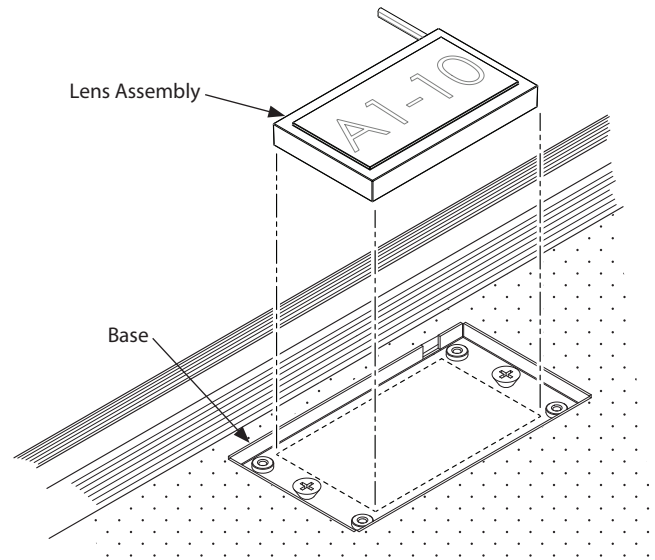
Step 3: Position base on floor with the wire output notch facing the wireway (See note on Page 3). Run wire under carpet to the previously drilled hole in wireway. Feed wires through hole and attach base with two screws, as shown.



Install Lens Assembly

Step 1: Run wires through Notch in Monogram™ Base and route under carpet through the hole previously drilled in wireway.

Step 2: Position Lens Assembly in center of Base, as shown.

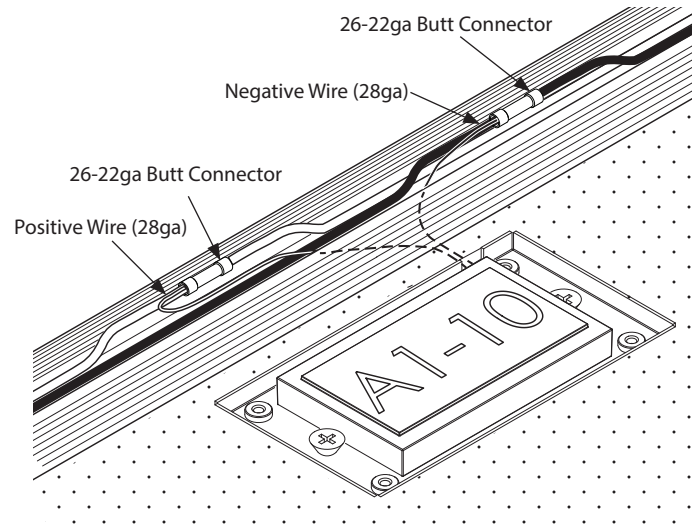


Connect to Power

Step 1: Wireway cover should be removed to allow access to wiring.

Step 2: Using the Butt Connectors provided, connect the white positive wire from the Monogram™ Unit to the positive wire from the power supply. Connect the black negative wire from the Monogram™ unit to the negative wire from the power supply, as shown.

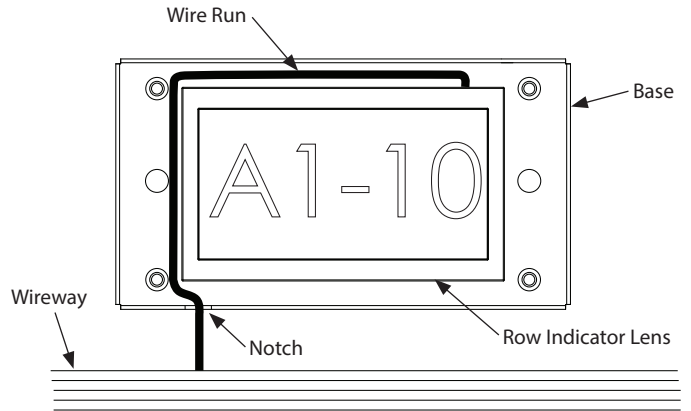
Step 3: Replace wireway cover.



Installation Instructions (Continued)

Step 3: Standard Row Indicator Orientation is with the wire originating from the top of the Lens. However, for proper orientation, there are installations that require the wire to emerge from the bottom of the fixture. For this application, route the wire around the lens inside the Base, as shown, following the path indicated to avoid any excessive bending of the wire. Be sure to position the notch on the proper side in order to allow the correct wire path.

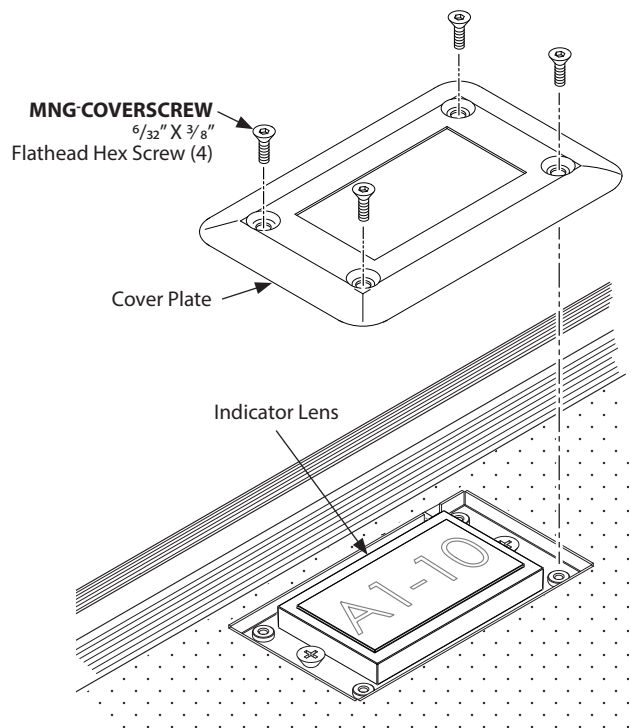
Note: Determine the proper notch position before attaching Base to mounting surface.



Install Lens and Cover

Step 1: Place Cover Plate in position over the base unit, making sure the Indicator lens is positioned properly to fit through the opening.

Step 2: Secure with four Hex Screws using 2mm Hex Wrench (provided in kit).



Product Specification Guide

Max Monograms Per 5 Amp Circuit

LED Color	Watts per fixture	Fixtures per circuit
All Colors	0.20W	270