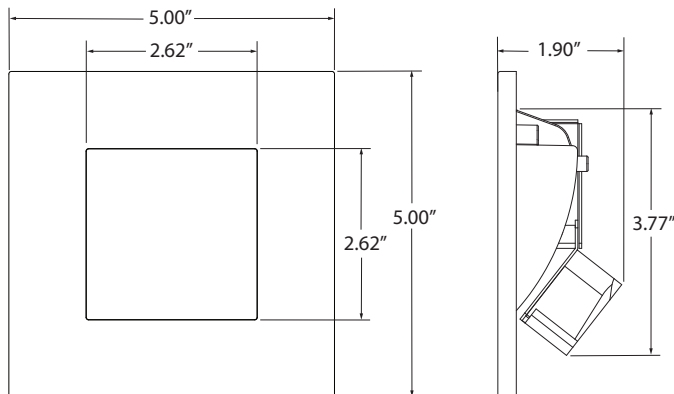


Profile Dimensions



Please verify the contents of the packages!
Please read instructions entirely before starting installation
Be sure power is turned off before installing or modifying the system

Call Tivoli, LLC tech support with questions

Caution: Vetrinella LED is designed to run directly off 120V AC line. Use of the wrong power source could cause damage, shorten the life of the fixture and will void the warranty.

Consult any and all applicable local and national codes for installation.

Do not conceal or extend exposed conductors through a building wall as per local electrical code.

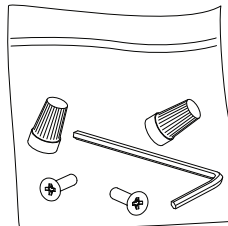
Warning: With any luminaire for any application, basic safety precautions should always be followed to reduce the risk of fire, electric shock and personal injuries. This lighting system must be installed in accordance with applicable installation code by a person familiar with the construction and operation of the product and the hazards involved.



Installation Instructions:

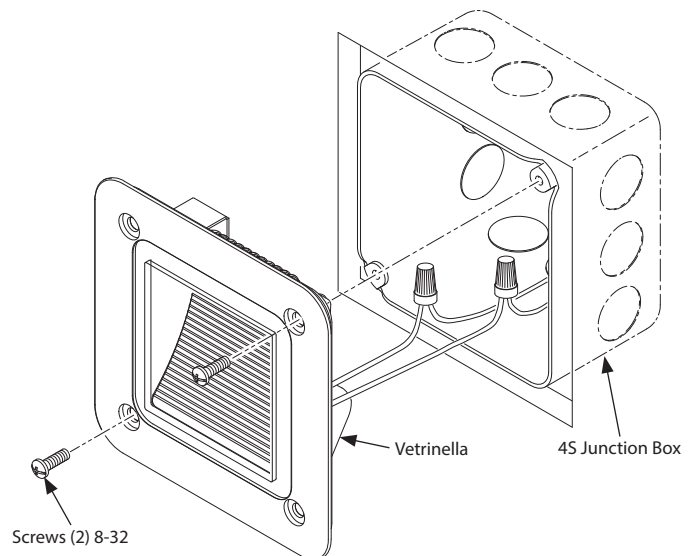
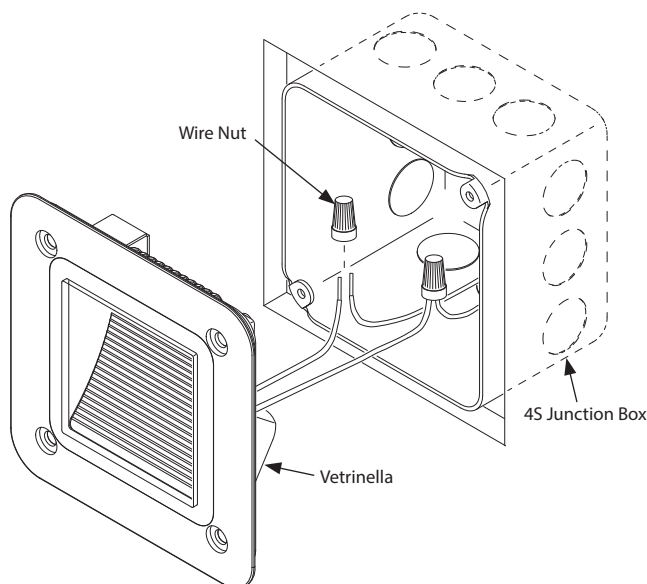
Note: Vetrinella is available in two models: The Indoor only model has no lens. The IP65 rated model features a sealed lens and is suitable for Indoor and Outdoor applications. The Installation procedure is the same for both models.

Step 1: Locate Mounting Kit (Provided with Vetrinella Fixture). The kit includes 2 7/16" x 8-32 screws, 2 5/8" x 8-32 screws, 3 wire nuts and 1 Allen Key that will be used to install the unit.



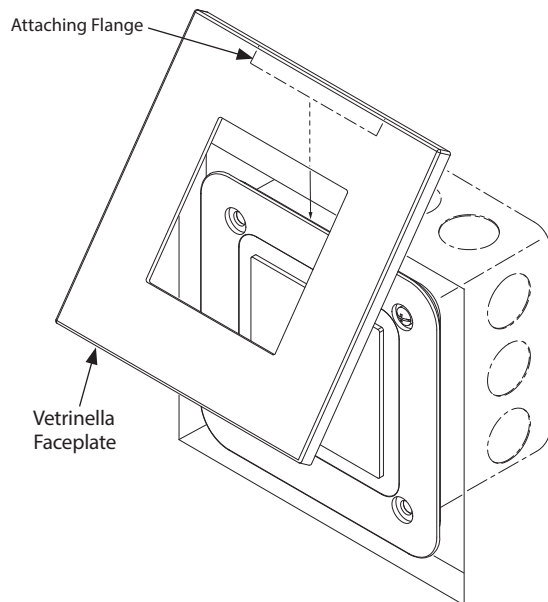
Step 3: Attach fixture to a shallow 4" junction box (45) with 2 each 8-32 screws included in mounting kit. Junction box must be at least 2" deep.

Step 2: Connect Vetrinella fixture to power supply connections using wire nuts (provided in mounting kit).



Installation Instructions: (Continued)

Step 4: Position flange on rear edge of faceplate over the edge of fixture and rotate faceplate into position.



WARNING: Risk of Fire Or Electric Shock.

Do not cover any luminaire, as the covering may cause it to overheat.

Do not install any luminaire closer than 6 inches (15.25 cm) from any curtain, or similar combustible material.

Do not use any luminaire if damaged; such as, loose connections, or frayed wire insulation. Inspect periodically.

Do not submerge any luminaire in liquid.

Do not secure any luminaire with staples, nails or like means that might damage the wire insulation. Secure it by using screws through mounting holes.

Do not run any luminaire at an operating temperature exceeding 65° C or 149° F.

Step 5: Insert and tighten 2 cone point hex screws to secure lower edge of faceplate to fixture flange using allen wrench supplied in mounting kit.

