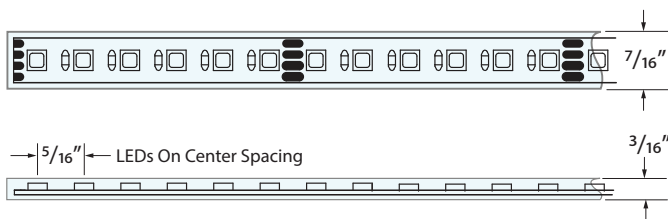


**Profile Dimensions**



**Please verify the contents of the packages!**

**Please read instructions entirely before starting installation**  
**Be sure power is turned off before installing or modifying the system**

**Call Tivoli, LLC tech support with questions**

**Caution:** Tivotape™ LED is designed to work with listed Class 2, 24V DC transformers only. Use of any other power source will cause damage, shorten the life of the fixture and will void the warranty.

**Consult** any and all applicable local and national codes for installation.

**Do not** conceal or extend exposed conductors through a building wall as per local electrical code.

**Warning:** With any luminaire for any application, basic safety precautions should always be followed to reduce the risk of fire, electric shock and personal injuries. This lighting system should be installed by a certified professional.



**Installation Instructions**

**CAUTION - Risk of Damage.** Handle carefully.

1. **Do not** twist, bend, fold or crease Tivotape™.
2. **Do not** bend or crease lead wire at solder point.
3. **Do not** attempt to remove Tivotape™ once it has been installed. Attempting to pull Tivotape™ away from mounting surface after it has been adhered will cause damage to the product.
4. **Do not** use chemical solvents on Tivotape™ during routine maintenance.

**Failure to comply will damage the product and void the warranty.**

**Option 1: Direct to Surface**

**Note:** Use in clean, smooth, surface applications. Attaching to textured surfaces without the use of a mounting channel is not recommended.

**Step 1:** Identify Tivotape™ from supplied lengths to fit the area as marked.

**Note:** Outdoor Tivotape™ is shipped manufactured to specific lengths with factory attached end preps. It is not designed to be trimmed in the field.

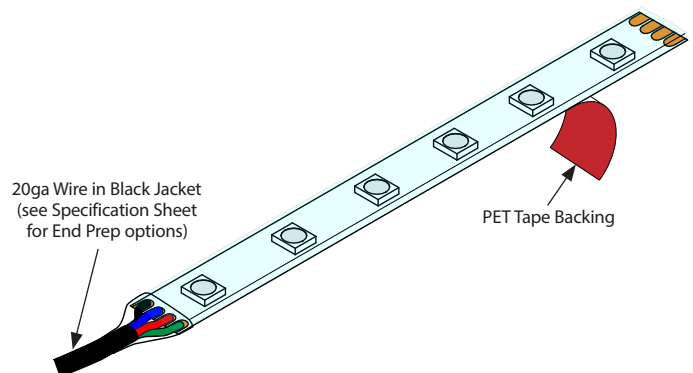
**Step 2:** Make sure surface where Tivotape™ is to be installed is smooth, clean, free of dirt, oil and debris.

**Note:** For backing tape to remain permanently attached, mounting surface must be clean and free of oil and debris.

**Caution:** Do not attempt to remove Tivotape™ once it has been adhered to surface. Stick down once to avoid damage to the product. If there is a misapplication, remove the Tivotape™, clean off all adhesive from the mounting surface and start over with a new strip of Tivotape™ on a clean surface.

**Step 3:** Peel off PET tape backing and apply Tivotape™ to clean, smooth surface area.

**Step 4:** Press firmly with hand along the entire length of Tivotape™ to ensure a strong bond to the mounting surface.



**Caution:** Do not bend, twist or crimp the lead wire at the solder connection point. This will damage the product and void the warranty.

**Step 5:** Make necessary electrical connections. (See Page 4)

## Installation Instructions (Continued)

### Option 2: Mounting Channel

Mounting channels are recommended for most applications to create smooth, flat adhesion surface and are used for different effects.

**Step 1:** Measure and cut mounting channel from supplied lengths to fit full length of mounting surface and drill countersunk mounting holes every 24" along channel.

**Step 2:** Attach mounting channel using No. 6 flat head screws (supplied by others) appropriate for mounting surface, ie: wood screws for wood.

**Step 3:** Make sure channel where Tivotape™ is to be installed is smooth, clean, free of all dirt, oil and debris.

**Note:** Cleaning channel mounting surface with alcohol is recommended.

**Step 4:** Peel off PET backing tape and apply Tivotape™ to clean mounting channel.

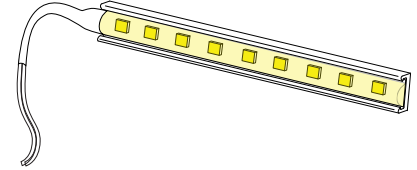
**Step 5:** Press firmly with hand along the entire length of Tivotape™ to ensure a strong bond to the Mounting Channel.

**Step 6:** Install Lens and End Caps as required for application.

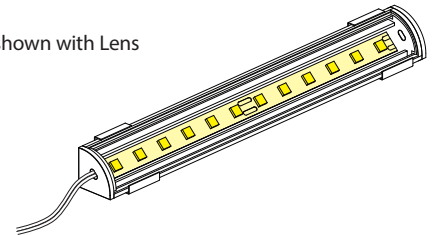
**Step 7:** Make necessary electrical connections.

### Examples of Available Channels

**MCHAN-8-LP**  
Clear Polycarbonate Mounting Channel



**MRSL-CHAN-SLV-6.5**  
Marsala Mounting Channel, shown with Lens and Mounting Clips



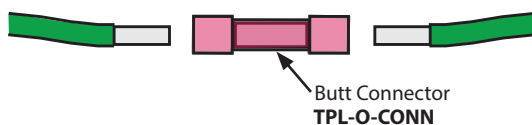
There are a variety of compatible Channels available in Plastic and Aluminum. See Specification Sheet for more information.

## Connecting Tivotape™ Sections Using Outdoor Butt Connectors

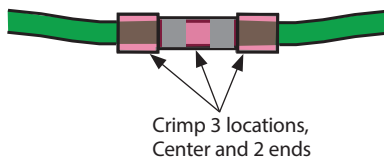


To connect two sections of Tivotape™ in the field, use outdoor rated Butt Connectors. A Ratchet Crimping Tool and Heat Gun is required.

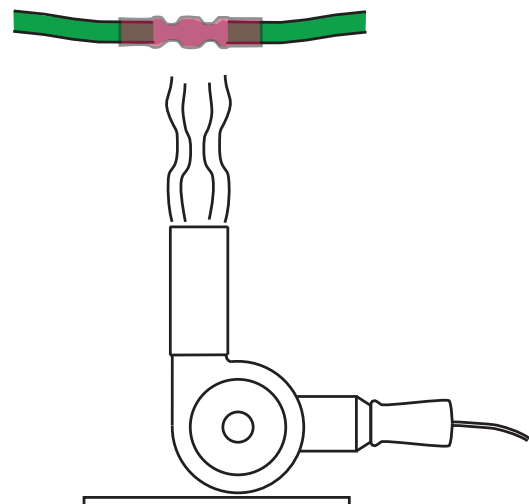
**Step 1:** Strip ¼" of Insulation from the end of each wire and insert one end of each wire into Butt Connector.



**Step 2:** Use Ratchet Crimping Tool to securely crimp each wire inside the Butt Connector in the areas shown.

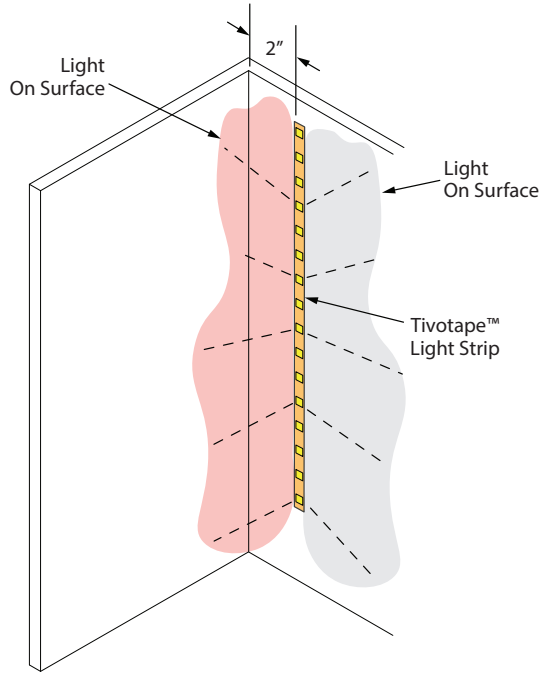


**Step 3:** Use Heat Gun to heat Butt Connector. Continue to heat until Butt Connector shrinks to a tight seal around both wire ends. This will ensure a water-tight connection.

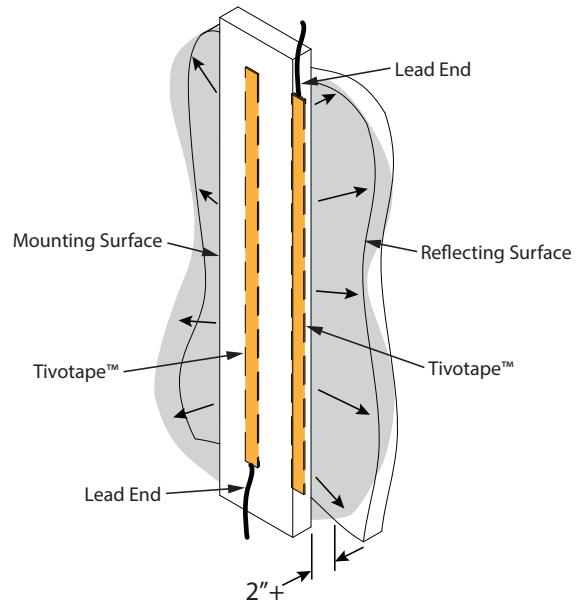


## Maintaining Color Consistency

**Note 1:** Each RGB LED is a composite of red, green and blue components. If the TivoTape light strip is located within 2" of an adjacent surface, the color closest to that surface may dominate the other colors. A distance of 2" or more will allow the light to even out and permit the colors to mix together.



**Note 2:** In applications where multiple strips of TivoTape™ are reflecting on a common surface, it is recommended that the tape be mounted at least 2" away from the reflecting surface and oriented with the same edge of TivoTape™ mounted closest to the outside edge, as shown. Note the position of the lead end.



## Tivotape™ RGB Basic Wiring Diagram

### Electrical Connections for Indoor RGB Tivotape™

**Step 1:** Turn power off before beginning electrical installation.  
**Note:** Contacting hot wires against the Tivotape™ leads may damage the product and void the warranty.  
**Step 2:** Connect Tivotape™ lead wires to RGBW-Sub-Controller, or if using our ADN-M-DIN series transformers, connect to pre-wired connectors which are found inside the power supply box. Refer to diagram on page 5. Make sure each lead wire is connected to the correct terminal, as follows:

| TIVOTAPE™ PAD DESIGNATION | LEAD WIRE COLOR | SUB-CONTROLLER TERMINAL OR ADUL-DIN CONNECTOR WIRE COLOR |
|---------------------------|-----------------|--|
| +                         | Black           | Black (+)  |
| B                         | Blue            | Blue   |
| R                         | Red             | Red  |
| G                         | Green           | Green  |

**Step 3:** Connect to a listed Class 2, 24V DC transformer only. See Specification Sheet for list of approved transformers.  
**Step 4:** Optionally, RGB Tivotape™ may be dimmed using an MLV or ELV dimmer that is suitable for the power supply. Please contact our technical support staff for more information.

- DMX512 RDM decoder, RDM function can provide the interface between DMX master and decoder. for example, DMX decoder's address may be set from DMX master console.
- Multiple kinds of DMX in/out ports: RJ 45, XLR , normal screws.
- Total 5 PWM output channels, common anode. DMX channel quantity from 1CH~5CH programmable
- PWM output resolution ratio 8bit , 16bit settable.
- Output PWM frequency from 500HZ ~ 9K HZ settable.
- Output dimming curve gamma value from 0.1 ~ 9.9 settable.
- Programmable Decoding mode.

**Safety and Warnings:**

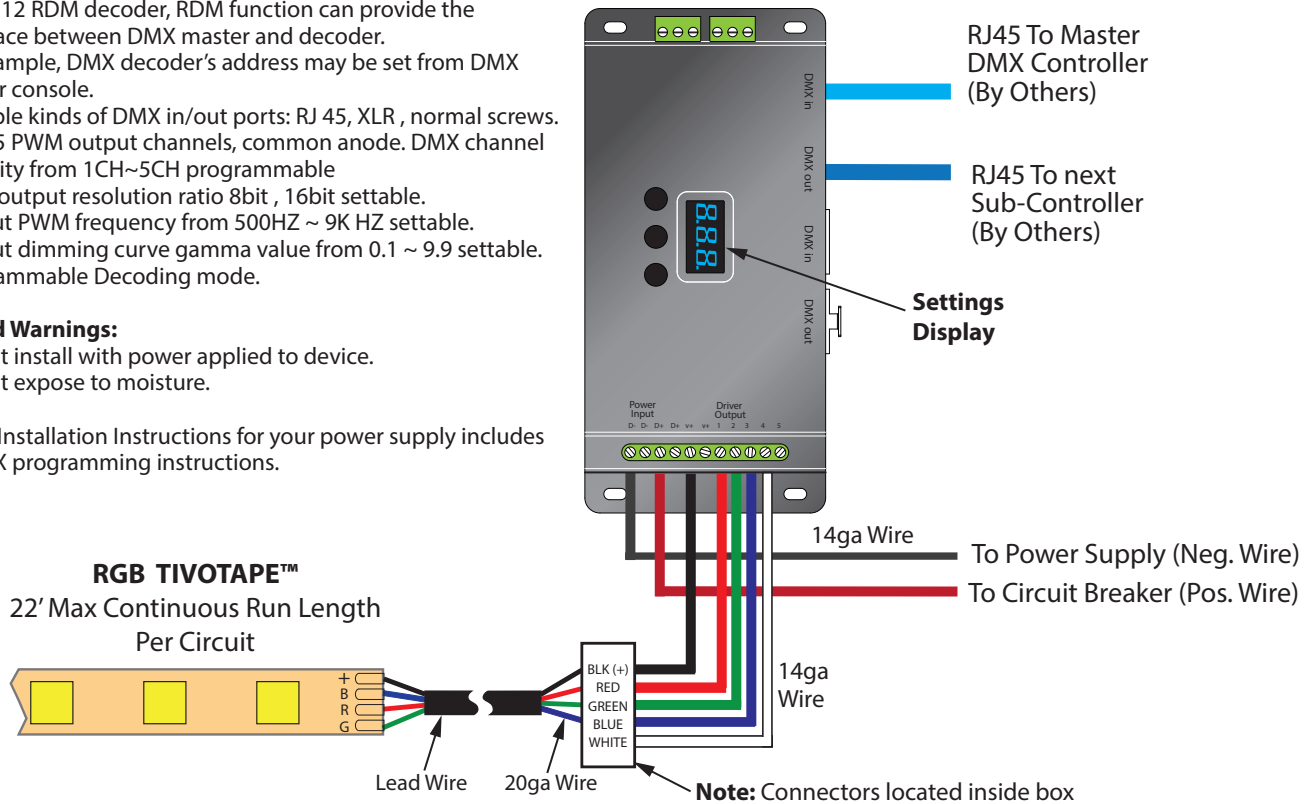
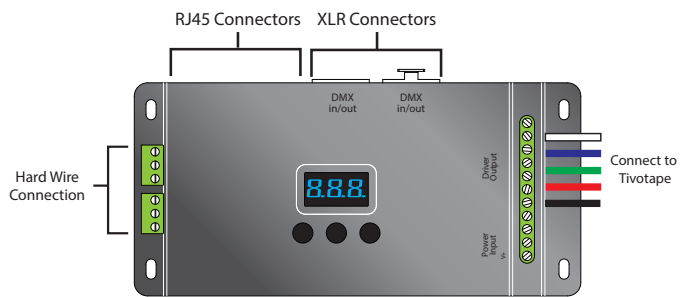
- Do not install with power applied to device.
- Do not expose to moisture.

**Note:** The Installation Instructions for your power supply includes DMX programming instructions.

### Product Specification Guide

| LIGHT SOURCE           | POWER CONSUMPTION | MAX CONTINUOUS RUN LENGTH* |
|------------------------|-------------------|----------------------------|
| All color temperatures | 4.4W/ft           | 22ft                       |

\*Max continuous run based on ADUL 96W/4.0A Power Supply max load. (Refer to Tivotape™ Specification Sheets for max run using other recommended power supplies.)



## Power Supply with Sub-Controller Sample Wiring Diagram

There are many possible options for controlling RGB TivoTape™. See the specification Sheet for more information. The following wiring diagram is for reference only. Please refer to the Installation Instruction for the Power Supply you choose for detailed wiring instructions.

