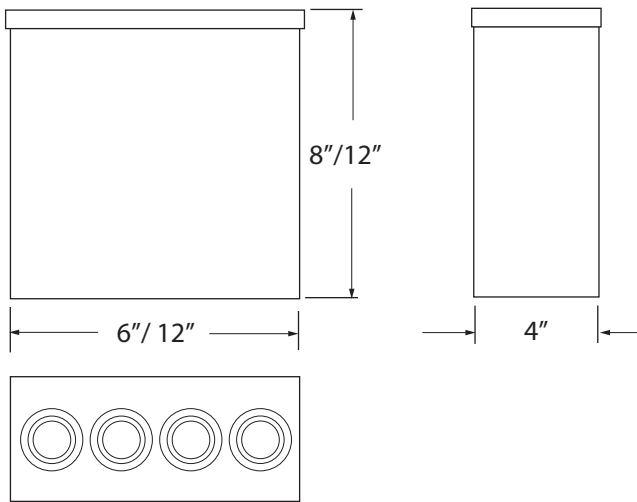


### Profile Dimensions



**Please verify the contents of the packages!**

**Please read instructions entirely before starting installation**

**Be sure power is turned off before installing or modifying the unit.**

**Call Tivoli, LLC tech support with questions**

**Caution:** This Power Supply is designed to work on 90V/305V AC line voltage. Use of any other power source will cause damage and will void the warranty. This Power Supply is certified for Class 2 applications.

**Consult** any and all applicable local and national codes for installation.

**Do not** conceal or extend exposed conductors through a building wall as per local electrical code.

**Warning:** Basic safety precautions should always be followed to reduce the risk of fire, electric shock and personal injuries. This power supply should be installed by a certified professional.



### Installation Instructions

#### Mounting Location Requirements

It is recommended that the enclosure be mounted with at least 10" of open space around it for proper ventilation. Do not mount next to or above heat radiating equipment. Operating under high ambient temperature may increase the internal temperature and will require a de-rating in output current. This power supply will operate efficiently between -40° C to +80° C with adequate ventilation. The enclosure is NEMA 3R rated for outdoor/wet applications.

#### Outdoor Installation

**Step 1:** Locate Power Supply enclosure (NEMA 3R rated) in a suitable outdoor location.

**Step 2:** Orient the box in the proper orientation for outdoor use. The solid cover must be positioned at the top to maintain water proof integrity.

**Step 3:** Note the spacing of the mounting holes when determining mounting location.

**Step 4:** Knock out access holes as needed. Outdoor rated boxes only have knockouts along the bottom of the box.

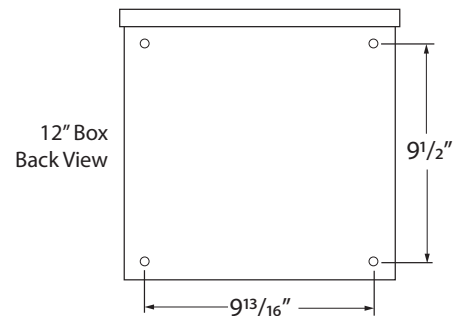
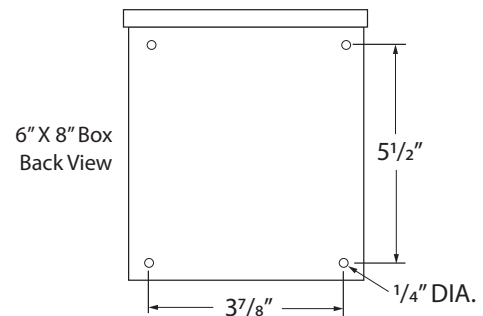
**Step 5:** Install strain reliefs (wire clamps) for 1/2" hole size. Input lead wires are 18AWG. Output lead wires are 14AWG.

#### Input Connection:

Bring external Positive (Black) and Negative (White) Power Lines through Strain Relief on the input side of the Transformer. Connect to Black and White Transformer Leads using the correct size and UL approved Wire Nuts.

**Grounding:** Connect the Green Ground Wire from inside the enclosure and the Green Transformer wire to incoming ground wire.

Note: The 6" X 8" box has only one Ground Wire.



#### Warnings and Cautions

1. Risk of electrical shock and energy hazard. All failures should be examined by a qualified technician. Do not open the case of the power supply module.

2. Do not install LED power supplies in places with high ambient temperature or close to a fire source.

## Installation Instructions (Continued)

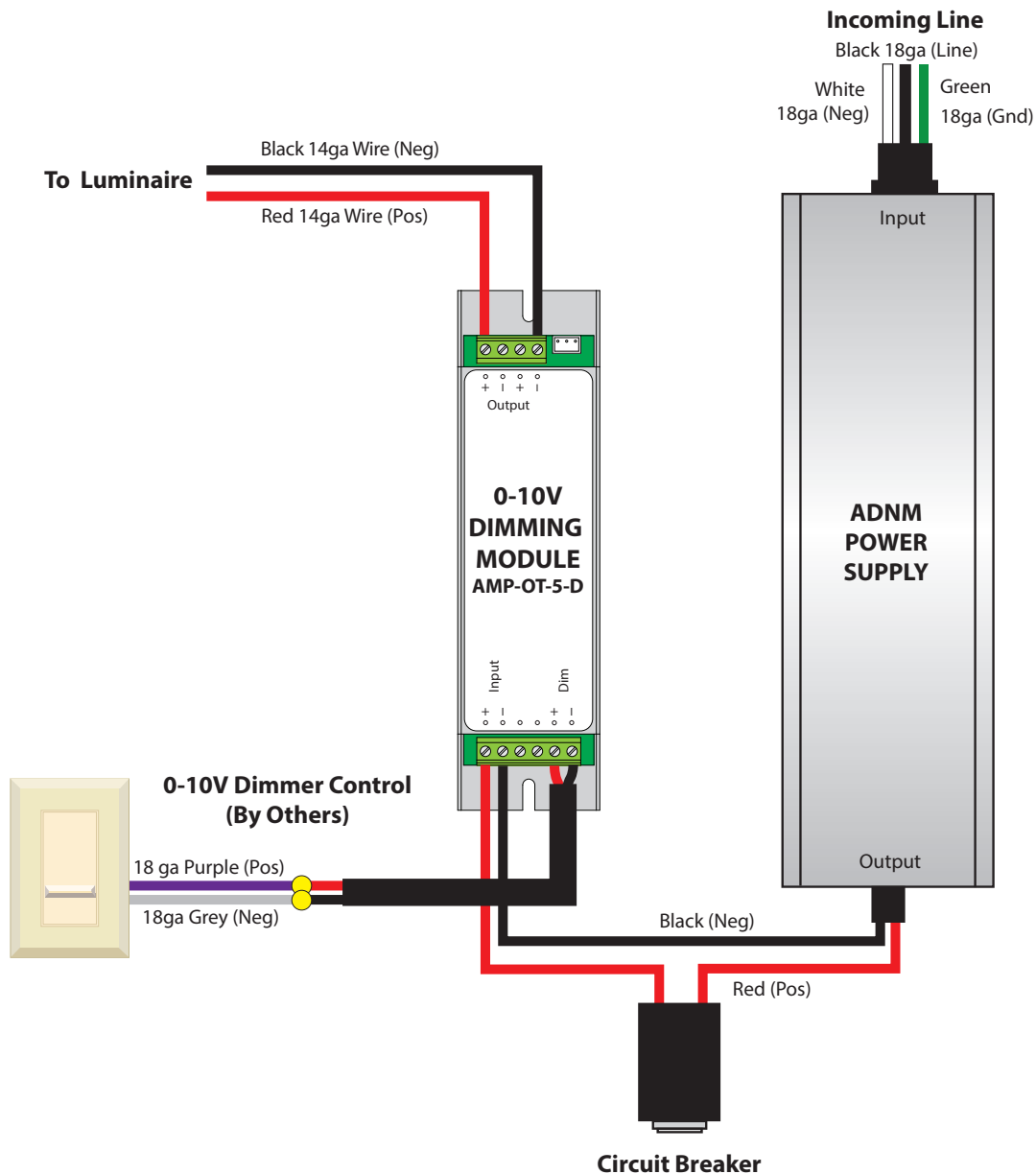
### Output Connections: Wiring for Dimming

The ADNM-DOT Series incorporates one Dimming Module per circuit, pre-wired in a single box. ADNM-DOT Power Supplies may be ordered with one to four Dimming Module units included.

**Step 1:** The lead wires are already attached to the AMP-OT-5-D Dimming Unit. Locate the The Black Positive Wire and the Red Negative Wire from the output side of the AMP-OT-5-D and connect to the respective positive and negative terminals on the luminaire.

**Step 2:** Do not exceed the maximum linear run specification of the luminaire.

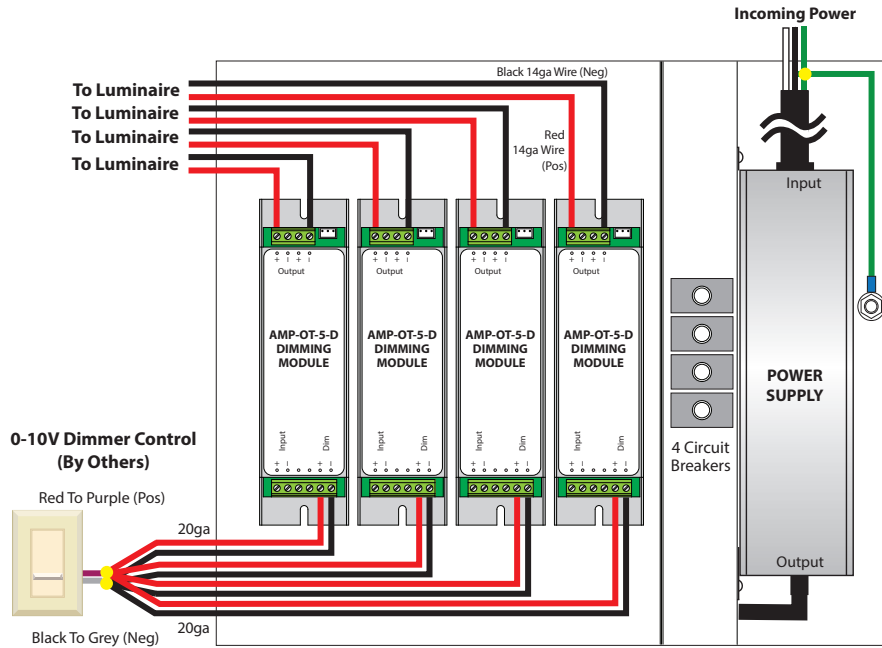
**Step 3:** Connect dimmer control to Input side of AMP-OT-5-D unit. The lead wires are already attached. Attach the Red positive wire to the purple wire coming from the dimming control (by others) and connect the Black negative wire from the AMP-OT-5-D to the grey wire from the dimming control using 18-22ga wire nuts.



ADNM-DOT Series Wiring Diagrams

**ADNM-320-4-5-12-DOT**

120-277V AC / 12V DC, 240W / 4 CIRCUITS X 5A

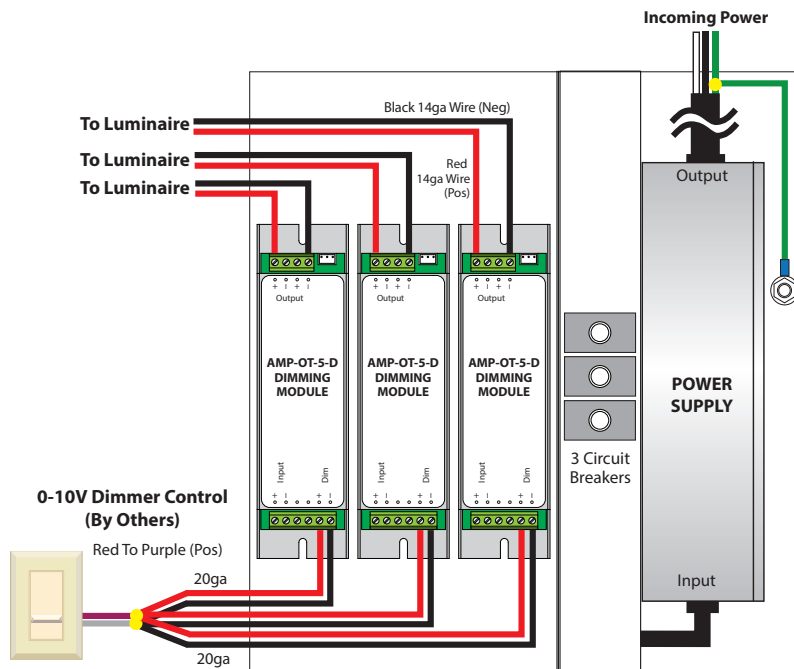


**ADNM-240-3-5-12-DOT**

120-277V AC / 12V DC, 180W / 3 CIRCUITS X 5A

**ADNM-320-3-4-24-DOT**

120-277V AC / 24V DC, 288W / 3 CIRCUITS X 4A



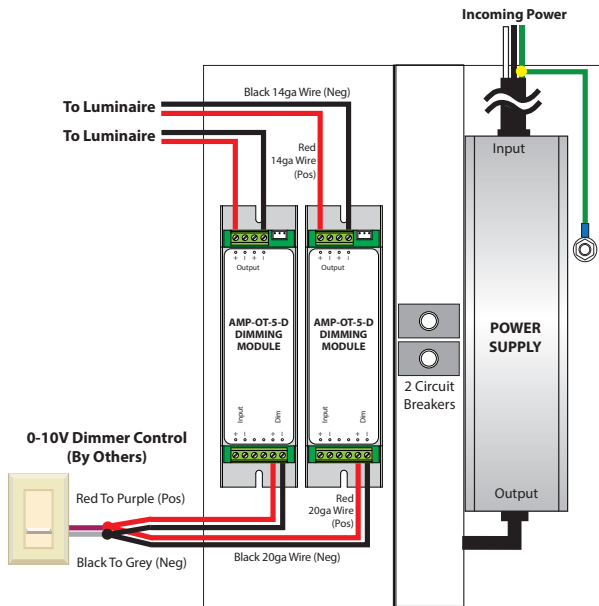
**ADNM-DOT Series Wiring Diagrams**

**ADNM-150-2-5-12-DOT**

120-277V AC / 12V DC, 120W / 2 CIRCUITS X 5A

**ADNM-240-2-4-24-DOT**

120-277V AC / 24V DC, 192W / 2 CIRCUITS X 4A

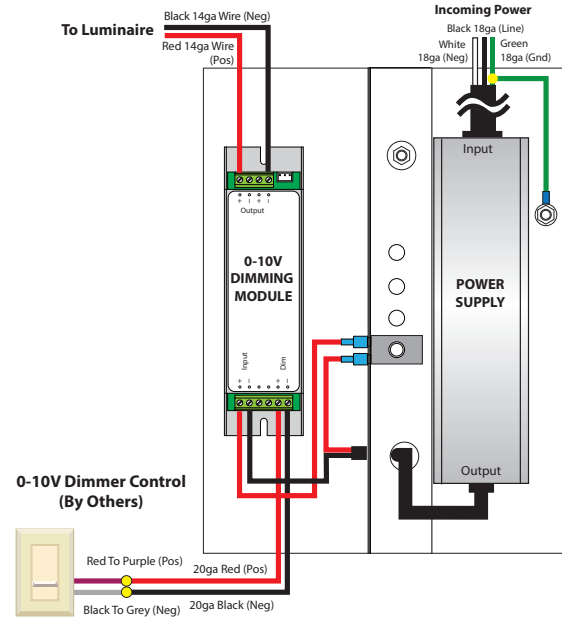


**ADNM-80-1-5-12-DOT**

120-277V AC / 12V DC, 60W / 1 CIRCUIT X 5A

**ADNM-120-1-4-24-DOT**

120-277V AC / 24V DC, 96W / 1 CIRCUIT X 4A



**ADNM-60-1-5-12-DOT**

120-277V AC / 12V DC, 60W / 1 CIRCUIT X 5A

**ADNM-90-1-4-24-DOT**

120-277V AC / 24V DC, 90W / 1 CIRCUIT X 4A

