

**Please verify the contents of the packages!**  
**Please read instructions entirely before starting installation**

**Be sure power is turned off before installing or modifying the system**

**Call Tivoli, LLC tech support with questions**

**Caution:** Illumiline LED is designed to work with listed Class 2 24V DC transformers only. Use of any other power source could cause damage, shorten the life of the fixture and may void the warranty.

**Consult** any and all applicable local and national codes for installation.

**Do not** conceal or extend exposed conductors through a building wall as per local electrical code.

**Warning:** With any luminaire for any application, basic safety precautions should always be followed to reduce the risk of fire, electric shock and personal injuries. This lighting system should be installed by a certified professional.



## Installation Instructions

### Option 1: Mounting channel

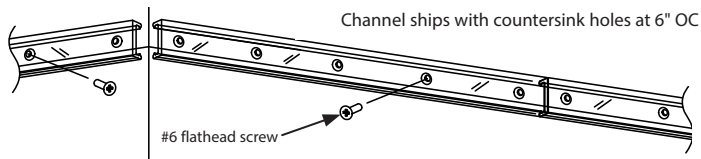
Mounting channel is the recommended choice if mounting is visually exposed.

**MCHAN-8-LP** for Illumiline HO in 1011 profile

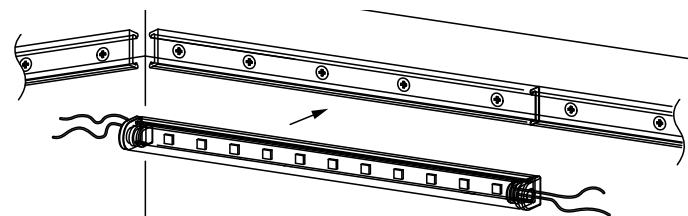
**MCHAN-8** for Illumiline HO in 1010 rectangular profile only

**Step 1:** Measure and cut mounting channel from supplied 8 ft lengths to fit full length of each tube (partial channel lengths can be joined together).

**Step 2:** Attach mounting channel by applying screws (supplied by others) with countersink heads appropriate for mounting surface, ie: wood screws for wood.



**Step 3:** Snap Illumiline tube into channel. Make necessary electrical connections (fixtures are DC powered and wires are marked for polarity).



### Option 2: Mounting clips

Mounting clips are the recommended choice for mounting in hidden from view spaces (ie. coves).

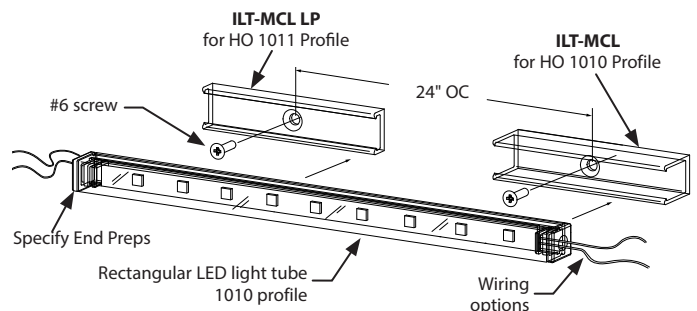
**ILT-MCL-LP** for Illumiline HO in 1011 profile

**ILT-MCL** for Illumiline HO in 1010 rectangular profile only

**Step 1:** Mark mounting clip positions along mounting area with clips positioned at 24 inches OC along area.

**Step 2:** Attach mounting clips by applying screws (supplied by others) with countersink heads appropriate for mounting surface, ie: wood screws for wood.

**Step 3:** Snap Illumiline tube into clips along the length. Make necessary electrical connections (fixtures are DC powered and wires are marked for polarity).



## Installation Instructions (Continued)

### Option 3: Mounting brackets

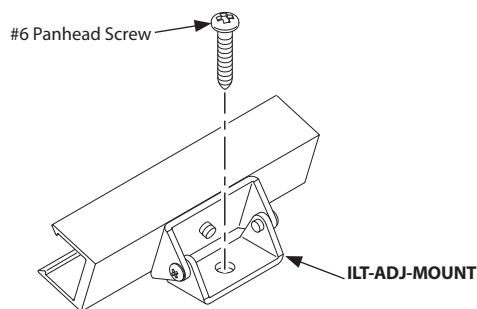
Recommended for mounting in hidden from view spaces (ie. coves) if angle control is needed.

**ILT-ADJ-MOUNT** (1010 profile) bracket with +/-45° angle adjustment.

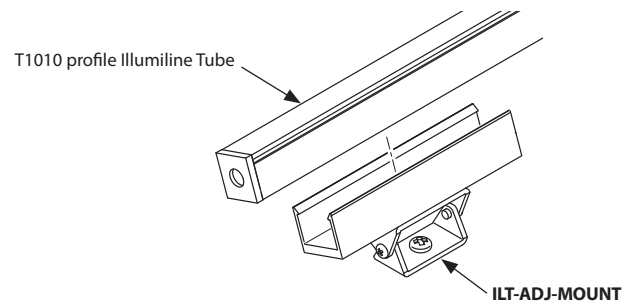
**ILT-ADJ-MOUNT-LP2** (1011 profile) bracket with +/-45° angle adjustment.

**Step 1:** Mark Mounting Bracket positions along mounting area with Brackets positioned at 24 inches OC along length.

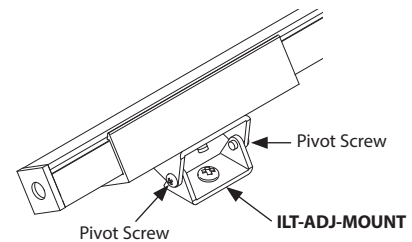
**Step 2:** Attach mounting brackets using #6 screws appropriate for mounting surface, ie: wood screws for wood. (#6 X 3/4" sheet metal screw included with bracket)



**Step 3:** Snap Illumiline tube into clips along the length. Make necessary electrical connections (fixtures are DC powered and wires are marked for polarity).

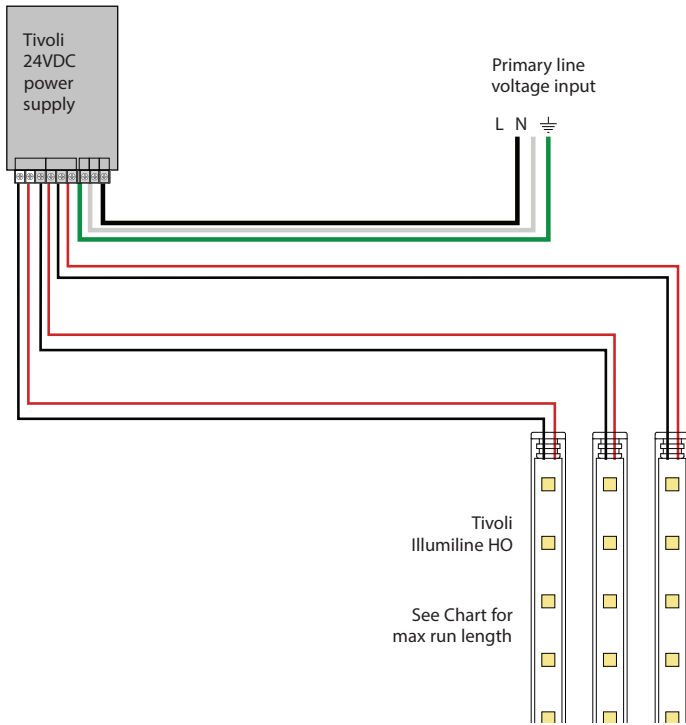


**Step 4:** Set angle and tighten screws to lock in place.



## Product Specification Guide

Product Specification Guide		
LED TYPE	VOLTAGE	MAX. CONTINUOUS RUN LENGTH
High Output	24V	70 LED (12' ft)



### Wiring Size

Installer calculates wire size between load and power supply to avoid voltage drop.

The wire sizing from the transformer to the light strings must be carefully calculated in order for low voltage circuits to operate properly. Tivoli recommends to locate the transformer as close to the light string as possible. Use 12 gauge wire and keep the transformer within 80 ft of the fixture.

#### Warnings:

- Do not cover any luminaire as the covering may cause it to overheat.
- Do not install this lighting system where the exposed bare contacts can be shorted or contact any conductive material to reduce the risk of fire and burns.
- Do not install any luminaire closer than 6 inches (15.25cm) from any curtain, or similar combustible material.
- Do not use any luminaire if damaged; such as, broken globe, loose connections, or frayed wire insulation. Inspect periodically.
- Do not submerge any luminaire in liquid. Use waterproof connectors for all outdoor applications.
- Do not secure any luminaire with staples, nails or like means that might damage the wire insulation. Secure it by using screws through the base.
- Do not run any luminaire at an operating temperature exceeding 65° C or 149° F.

## Power Supplies and Dimming Options

There are many possible options for powering and dimming Illumiline HO™. See the specification Sheet for more information. Please refer to the Installation Instruction for the Power Supply you choose for detailed wiring instructions.