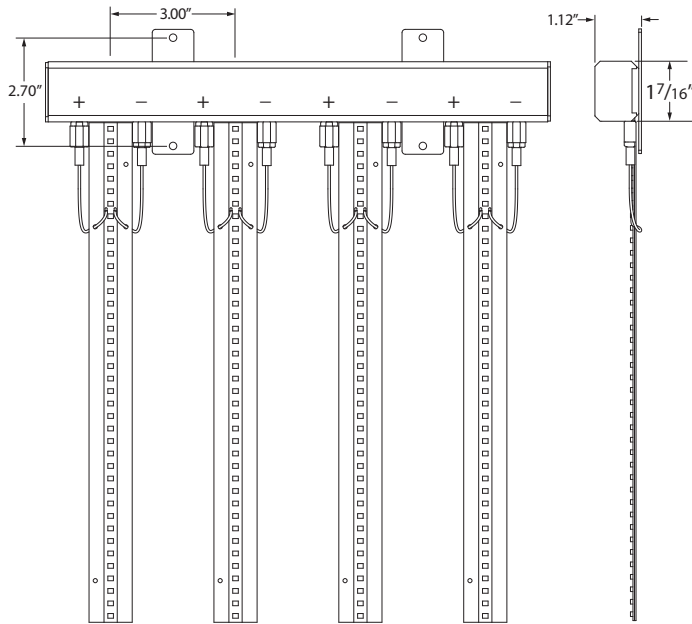




Profile Dimensions



Please verify the contents of the packages!

Please read instructions entirely before starting installation.

Be sure power is turned off before installing or modifying the system.

Call Tivoli, LLC tech support with questions.

Caution: Illumiwall™ is designed to work with listed Class 2 24V DC transformers only. Use of any other power source will cause damage, shorten the life of the fixture and void the warranty.

Consult any and all applicable local and national codes for installation.

Do not conceal or extend exposed conductors through a building wall as per local electrical code.

Warning: With any luminaire for any application, basic safety precautions should always be followed to reduce the risk of fire, electric shock and personal injuries. This fixture should be installed by a certified professional.



Installation Instructions

Overview: Tivoli Illumiwall™ is the solution for backlighting translucent walls and panels that permit backlighting. The Illumiwall™ system is designed to be mounted either vertically or horizontally and may be installed within a frame, as with a backlit sign, or wall-mounted behind translucent materials, such as: acrylic, glass and resin.

Note: Mount system at a minimum depth of 3" to eliminate hotspots.

Illumiwall™ is dimmable. Add one DIM-OT per 32' max run length.

Mounting the Connection Track

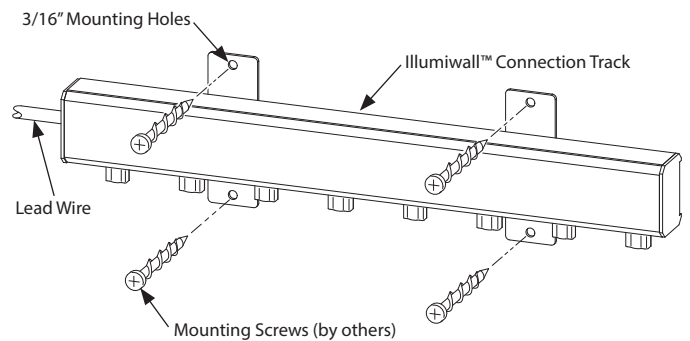
Preliminary: Determine mounting location, length of runs and feed path to transformer locations before installing Connection Track.

Note: The maximum run length is 32' for each transformer circuit. Maximum run can be a single light strip that measures 32' or multiple light strips that total 32'.

Step 1: Mount Connection Track to mounting surface (means of mounting and mounting hardware by others).

Step 2: Mount additional Connection Tracks as required by layout.

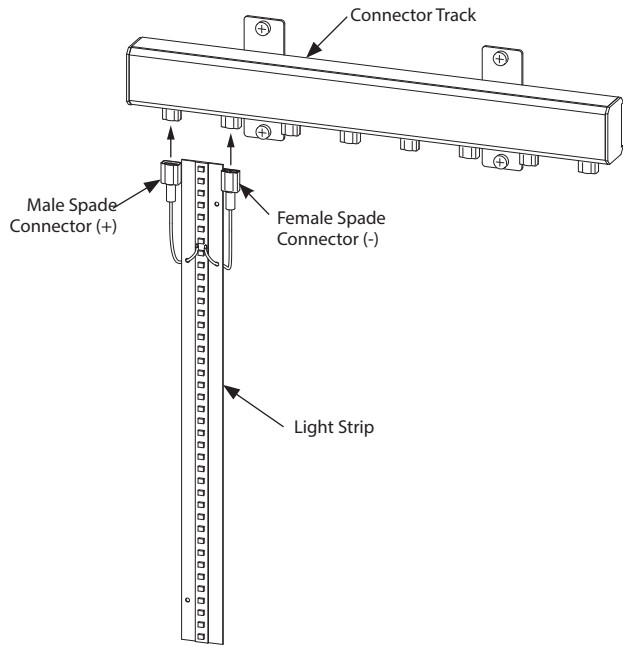
Note: Be sure to leave enough room between fixtures for the lead wires. Maximum track length is 8 ft and 32 Light Strips for a single fixture.



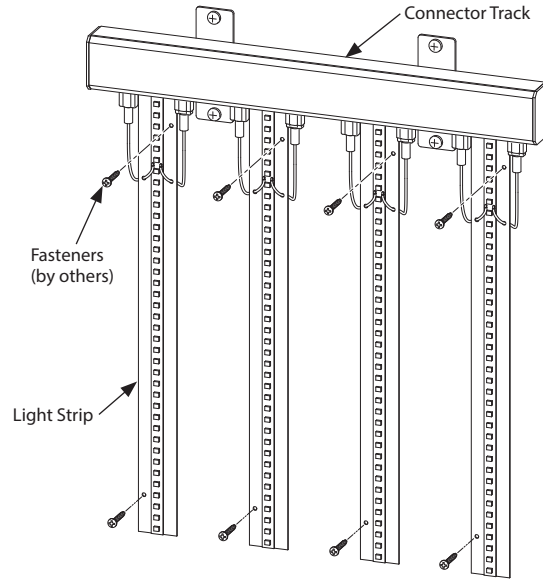
Installation Instructions (Continued)

Attach Illumiwall™ Light Strips

Step 1: Plug the male and female spade connectors on each light strip to the corresponding connectors on the underside of the Connector Track.

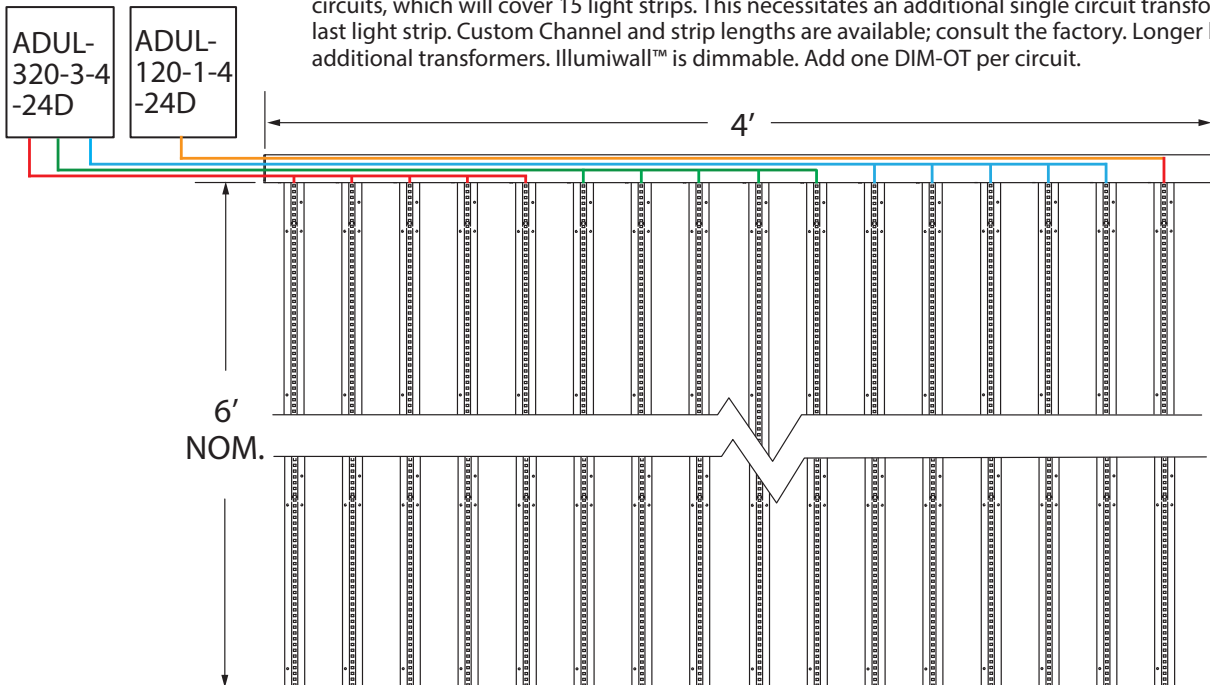


Step 2: The light strips have pre-drilled holes for mounting screws placed every 12 inches along each strip. Position each strip so it is centered between connectors and the top edge is close to the bottom edge of the Connector Track. Secure Light Strips with fasteners appropriate for the type of mounting surface, ie: wood screws for wood (by others).



Wiring Diagram for 4' X 6' Illumiwall Lighting System Example

This 4' X 6' foot Illumiwall™ example requires four circuits. In this example, the maximum run is 5 lighting strips, or a total of 30'. This means another circuit is required for every 5 strips. The ADUL-320 transformer features 3 circuits, which will cover 15 light strips. This necessitates an additional single circuit transformer to power the last light strip. Custom Channel and strip lengths are available; consult the factory. Longer lengths will require additional transformers. Illumiwall™ is dimmable. Add one DIM-OT per circuit.





Recommended Power Supplies

CAT NO	APPLICATION	PRIMARY AND SECONDARY	TOTAL WATTAGE / AMPS PER BREAKER	LISTING	DIMENSIONS	ELECTRONIC OR AC MAGNETIC
ADUL-120-1-4-24-D	Indoor	120-277V AC / 24V DC	96W / 1X4A	cULus	10"W X 10"L X 4"D	Electronic
ADUL-240-2-4-24-D		120-277V AC / 24V DC	192W / 2X4A	cULus	10"W X 10"L X 4"D	Electronic
ADUL-320-3-4-24-D		120-277V AC / 24V DC	288W / 3X4A	cULus	10"W X 10"L X 4"D	Electronic
JT-100-1-4-24-D		120V AC / 24V DC	96W / 1X4A	cETLus	4.25"W X 11.00"L X 4.00"D	Magnetic
JTH-100-1-4-24-D		277V AC / 24V DC	96W / 1X4A	cETLus	4.25"W X 11.00"L X 4.00"D	Magnetic
JT-300-3-4-24-D		120V AC / 24V DC	288W / 3X4A	cETLus	8.50"W X 16.00"L X 4.50"D	Magnetic
JTH-300-3-4-24-D		277V AC / 24V DC	288W / 3X4A	cETLus	8.50"W X 16.00"L X 4.50"D	Magnetic
MT-100-1-4-24-DD		120-240, 277V AC	96W / 1X4A	UL recognized	2.50"W X 12.32"L X 1.56"D	Electronic

DESCRIPTION	CAT NO	INPUT VOLTAGE	CONTINUOUS MAX VOLTAGE AC	CONTINUOUS MAX VOLTAGE DC	MAX CLAMPING VOLTAGE 8/20 μS @ 20KA	DIMENSION
Universal Surge Protector	JT-120-SURGE	120V - 277V AC	320V AC	420V DC	1600	3" L X 1.625"D

0-10V Dimming Control Interface

DESCRIPTION	CAT NO	APPLICATION	PRIMARY VOLTAGE	SECONDARY VOLTAGE	MAX LOAD	CIRCUIT CAPACITY	DIMENSION
0-10V Dimming Module	AMP-OT-5-D	Indoor	10V DC~48V DC	10V DC~48V DC	96W @ 24V DC 60W @ 12V DC	5A	5.9"L X 1.61"W X 0.78"H