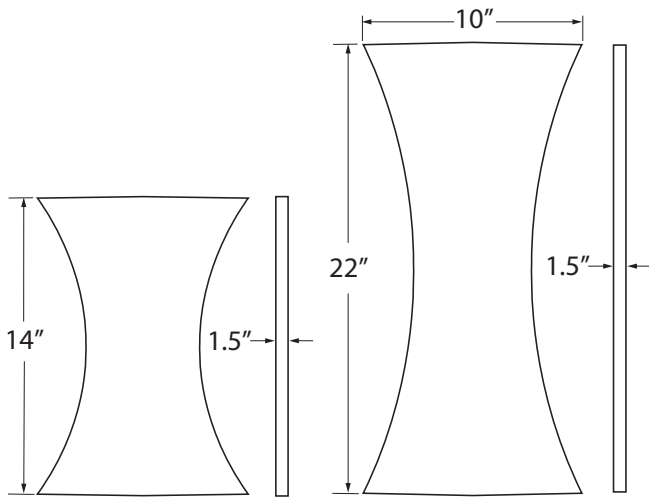


**Profile Dimensions**



**Please verify the contents of the packages!  
Please read instructions entirely before starting installation**

**Be sure power is turned off before installing or modifying the system**

**Call Tivoli, LLC tech support with questions**

**Caution:** Thea™ Wall Sconce is designed to work with clean 120V AC power. Use of any other power source will cause damage, shorten the life of the fixture and will void the warranty. It is recommended that power is conditioned or regulated with surge protection.

**Do not** conceal or extend exposed conductors through a building wall as per local electrical code.

**Warning:** With any luminaire for any application, basic safety precautions should always be followed to reduce the risk of fire, electric shock and personal injuries. **THIS LIGHTING SYSTEM MUST BE INSTALLED IN ACCORDANCE WITH APPLICABLE INSTALLATION CODE BY A PERSON FAMILIAR WITH THE CONSTRUCTION AND OPERATION OF THE PRODUCT AND THE HAZARDS INVOLVED. CE PRODUIT DOIT ÊTRE INSTALLÉ SELON LE CODE D'INSTALLATION PERTINENT, PAR UNE PERSONNE QUI CONNAÎT BIEN LE PRODUIT ET SON FONCTIONNEMENT AINSI QUE LES RISQUES INHÉRENTS.**

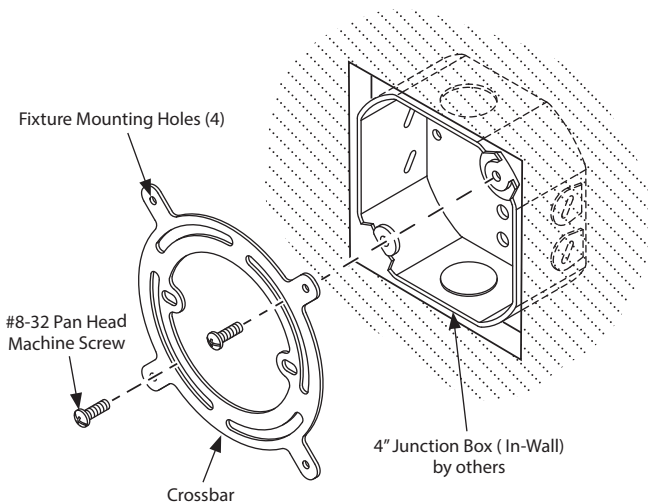


**Installation Instructions**

**WARNING:** Risk of electric shock. Be sure power is turned off at the main breaker box prior to installation.

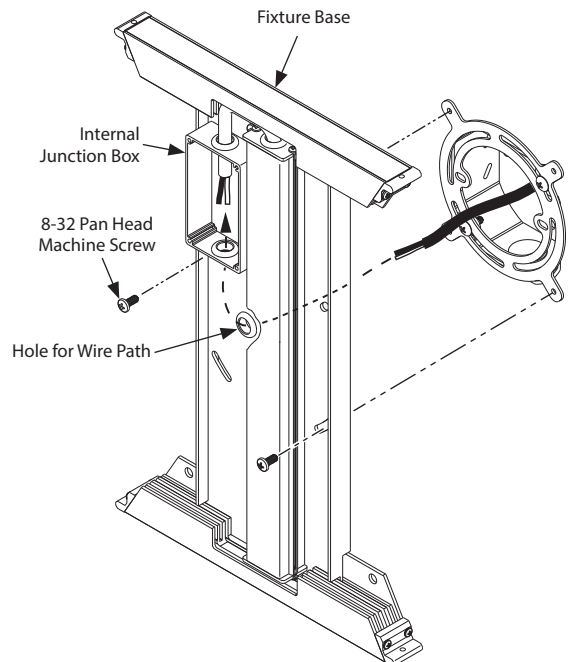
**Note:** All mounting hardware required for installation is included in kit.

**Step 1:** Pass two Pan Head Machine Screws through the long slots of the universal crossbar and attach to the junction box. The crossbar is not required when using a standard (S4) 4" Junction Box.



**Step 3:** Start two #8-32 machine screws through holes in fixture base into crossbar, as shown.

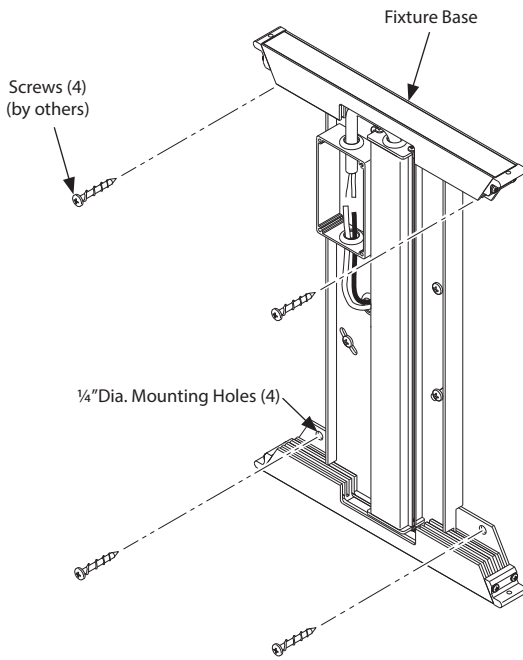
**Step 4:** Ensure that the fixture base is level by utilizing the lower slotted mounting holes and tighten screws.



**Step 2:** Hold the Fixture Base close to the wall and pass the wires from the junction box through the hole with the grommet located on the back plate of the base fixture. Once the Fixture Base is attached to the J-Box, the wires will be routed through the hole at the bottom of the Internal Junction Box, as shown in the following illustration.

Installation Instructions (Continued)

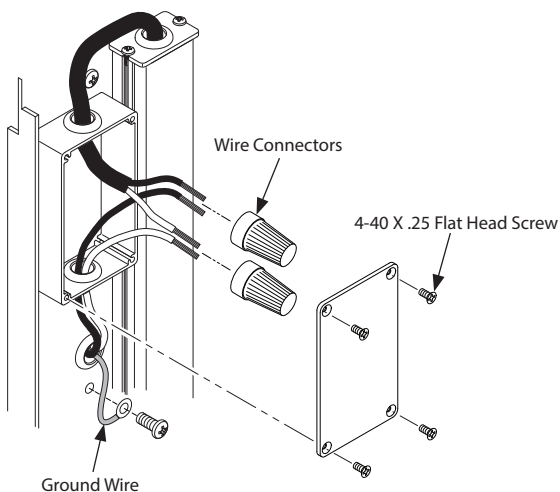
**Step 5:** Secure fixture to wall using 4 screws appropriate for the type of wall materials used (ie. wood screws for wood). Hole diameter is 1/4".



**Step 6:** Join wires together within internal junction box using wire nuts and attach ground wire using screw located below internal junction box.

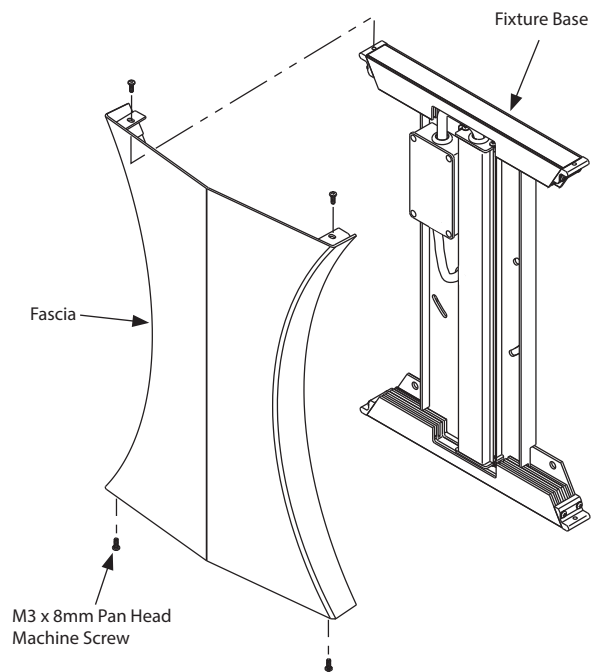
**Step 7:** install cover with 4 screws.

**Caution:** Make sure wire connectors are twisted on securely and no bare wire is exposed.



**Step 8:** Position Fascia over fixture base and use four M3 x 8mm Pan Head Machine Screws to tighten it to the fixture, as shown.

**Step 9:** Restore electricity at the main breaker.



**WARNING:** Risk of Fire Or Electric Shock.

Do not cover any luminaire, as the covering may cause it to overheat.

Do not install any luminaire closer than 6 inches (15.25 cm) from any curtain, or similar combustible material.

Do not use any luminaire if damaged; such as, loose connections, or frayed wire insulation. Inspect periodically.

Do not submerge any luminaire in liquid.

Do not secure any luminaire with staples, nails or like means that might damage the wire insulation. Secure it by using screws through mounting holes.

Do not run any luminaire at an operating temperature exceeding 65° C or 149° F.

## Installation Instructions (Continued)

**Step 10:** Install a Glare Shield on the top of the fixture. Lower the Glare shield over the top of the Thea fixture and insert the magnetized tab behind the Fascia.

**Step 11:** Check the alignment to ensure the Glare Shield is located evenly on both sides.

**Step 12:** Install another Glare Shield at the bottom of the fixture in the same manner.

