

CAT: FEET:

TYPE: PROJECT:



Covelum™ Outdoor provides the same performance as our indoor version with technology upgrades to the PCB, bringing a mature and highly reliable product. In 2017, Tivoli upgraded the PCB and added a whole range of color temperatures with Nichia LEDs. Covelum™ Outdoor is a low voltage rigid festoon system that is designed for indirect outdoor applications.

Features

- Standard fixtures are factory assembled with lens, LEDs and outdoor connection system.
- Plug & Play connections are set back from fixture end for smooth illumination without shadowing or scalloping between fixtures.
- Low Voltage (12V DC)
- Nichia LEDs
- 425 Lumens/ft.
- Six (6) color temperatures available from 2200K to 4000K and eleven (11) additional static color options.
- Optional clear or frosted lens available

Mounting

Swivel mounting feet come attached to fixture base every 12”.

Applications

Ideal for exterior wet cove illumination.

Warranty

3 years

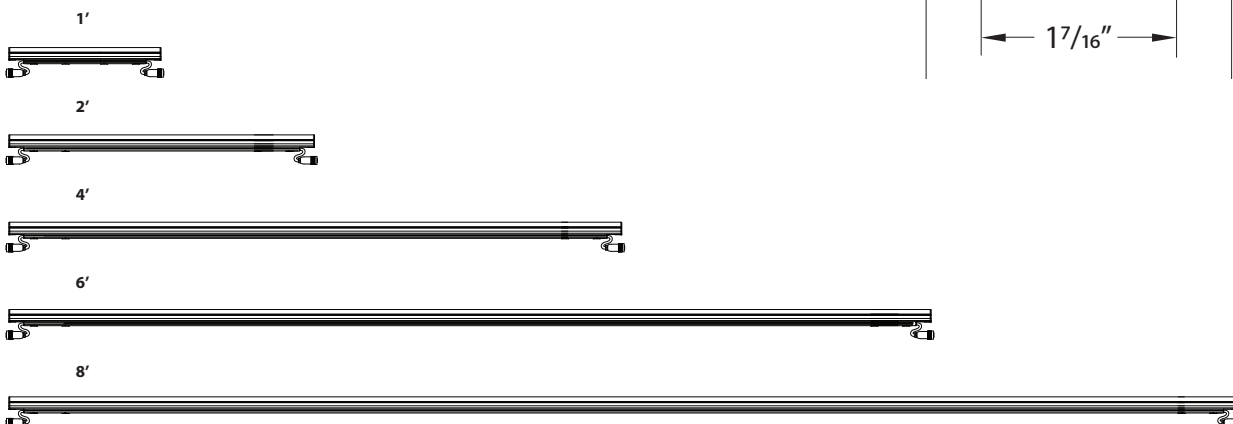
Technical Information



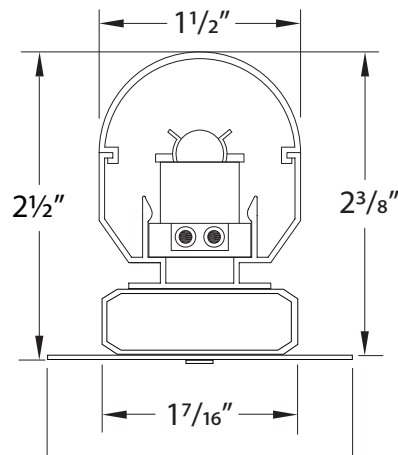
Available Lengths	1'	2'	4'	6'	8'
LED Spacing	2.5"				
*Lumens/Fixture	425	851	1701	2552	3402
*Watts/Fixture	4.3	8.6	17.2	25.8	34.4
*Lumens/Watt	99				
CRI	>80/TYP 83				
Kelvin Temp & Static Color	2200K, 2500K, 2700K, 3000K, 3500K, 4000K (±80K) 3SDCM Red, Orange, Royal Blue, Green, Amber, Yellow, Burgundy, Purple, Leaf Green, Teal Green, Soft Blue				
Rated Life	75,000 hrs.				
Max Connected Fixtures	14	7	3	2	2
Operating Voltage	12V DC				
Power Supply	Class 2				
Dimmable	Yes				

* 3000K Sample / Clear Lens

Available Lengths



Profile Dimensions



Recommended Power Supplies

ADNM - NON DIMMING

DESCRIPTION	CAT NO	APPLICATION	PRIMARY VOLTAGE	SECONDARY VOLTAGE	MAX LOAD	CIRCUIT BREAKERS	CIRCUIT CAPACITY
ADNM Series Class 1 Transformer	ADNM-240-1-15-12-D	Indoor / Outdoor	120-277V AC	12V DC	180W	1	1X15A

DESCRIPTION	CAT NO	APPLICATION	PRIMARY VOLTAGE	SECONDARY VOLTAGE	MAX LOAD	CIRCUIT BREAKERS	CIRCUIT CAPACITY
ADNM Series Class 2 Transformer	ADNM-60-1-5-12-D	Indoor / Outdoor	100-277V AC 5ø60 HZ	12V DC	60W	1	5A
	ADNM-80-1-5-12-D				60W	1	5A
	ADNM-150-2-5-12-D				2x60W	2	2x5A
	ADNM-240-3-5-12-D				3x60W	3	3x5A
	ADNM-320-4-5-12-D				4x60W	4	4x5A

ADNM - 0-10V DIMMING

DESCRIPTION	CAT NO	APPLICATION	PRIMARY VOLTAGE	SECONDARY VOLTAGE	CIRCUIT BREAKERS	MAX LOAD	CIRCUIT CAPACITY
ADNM Series Class 2 Transformer	ADNM-60-1-5-12-DOT	Indoor / Outdoor	100-277V AC 5ø60 Hz	12V DC	1	60W	5A
	ADNM-80-1-5-12-DOT				1	60W	5A
	ADNM-150-2-5-12-DOT				2	2x60W	2x5A
	ADNM-240-3-5-12-DOT				3	3x60W	3x5A
	ADNM-320-4-5-12-DOT				4	4x60W	4x5A

ADNM - DMX SINGLE ADDRESS

DESCRIPTION	CAT NO	APPLICATION	PRIMARY VOLTAGE	SECONDARY VOLTAGE	CIRCUIT BREAKERS	MAX LOAD	CIRCUIT CAPACITY
ADNM Series Class 2 Transformer	ADNM-60-1-5-12-DIN	Indoor / Outdoor	100-277V AC 5ø60 Hz	12V DC	1	60W	5A
	ADNM-80-1-5-12-DIN				1	60W	5A
	ADNM-150-2-5-12-DIN				2	2x60W	2x5A
	ADNM-240-3-5-12-DIN				3	3x60W	3x5A
	ADNM-320-4-5-12-DIN				4	4x60W	4x5A

ADNM - DMX MULTI ADDRESS

DESCRIPTION	CAT NO	APPLICATION	PRIMARY VOLTAGE	SECONDARY VOLTAGE	CIRCUIT BREAKERS	MAX LOAD	CIRCUIT CAPACITY
ADNM Series Class 2 Transformer	ADNM-150-2-5-12-DIN-2	Indoor / Damp	100-277V AC 5ø60 Hz	12V DC	2	2x60W	5A
	ADNM-240-3-5-12-DIN-3				3	3x60W	3x5A

Recommended Power Supplies

INFINITY - MLV / ELV / 0-10V / PWM / TRIAC

DESCRIPTION	CAT NO	APPLICATION	PRIMARY VOLTAGE	SECONDARY VOLTAGE	CIRCUIT BREAKERS	MAX LOAD	MIN LOAD	CIRCUIT CAPACITY
Infinity Series Class 2 Transformer	INF-J-30-1-2.5-12	Indoor / Outdoor	100 - 277V AC	12VDC	1	30W	3W	2.5A
	INF-J-60-1-5-12				1	60W	6W	5A
	INF-J-180-3-5-12				3	3x60W	3x6W	3x5A
	INF-J-300-5-5-12				5	5x60W	5x6W	5x5A

Recommended Dimmers

DIMMING - 0-10V

DESCRIPTION	CAT NO	APPLICATION	INPUT VOLTAGE	OUTPUT VOLTAGE	MAX LOAD
0-10V Dimmer	DIM-LD-010	Indoor	24V DC	24V DC	30 mA max. output (sink only)

DIMMING - MLV

DESCRIPTION	CAT NO	APPLICATION	INPUT VOLTAGE	OUTPUT VOLTAGE	MAX LOAD
MLV Dimmer	N-600	Indoor	120V AC	120V AC	450W
	N-1000				800W
	N-1500				1200W
	D-600				450W
	M-600				450W
	M-1000				800W

DIMMING - ELV

DESCRIPTION	CAT NO	APPLICATION	INPUT VOLTAGE	OUTPUT VOLTAGE	MAX LOAD
ELV Dimmer	ME-600	Indoor	120V AC	120V AC	450W
	DE-300				300W

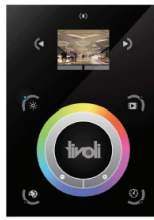
Recommended Dimmers

DIMMING - DMX

DESCRIPTION	CAT NO	APPLICATION	INPUT VOLTAGE	OUTPUT PROTOCOL	MAX UNIVERSE
DMX Controller	TVOQ-1-WH	Indoor	5V DC	DMX 512	1
	TVOQ-2-BK		6V DC		
	TVOQ-2-WH				
	TVOQ-10-BK-7		6-7V DC		
	TVOQ-10-WH-7				2



TVOQ-1-WH
WH (White only)



TVOQ-10-XX-7
XX = BK (Black), WH (White)

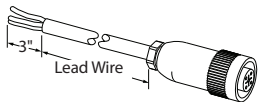


TVOQ-2-XX
XX = BK (Black), WH (White)

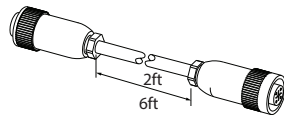
Ordering Information

PRODUCT CODE	LED TYPE	LENS	COLOR TYPE	CONNECTOR	LENGTH
CLL Covelum™	LB LB = LiteBar	C = Clear F = Frosted	22 = 2200K 25 = 2500K 27 = 2700K 30 = 3000K 35 = 3500K 40 = 4000K RD = Red OR = Orange RB = Royal Blue GN = Green AM = Amber YL = Yellow BR = Burgundy PP = Purple LG = Leaf Green TG = Teal Green SB = Soft Blue CS = Custom (Consult Factory)	MD = Male/Dead End MF = Male/Female	1 = 1' 2 = 2' 4 = 4' 6 = 6' 8 = 8'

Wiring Accessories



- FEMALE LEAD WIRE**
CLL-LB-F-LW-1
1' Lead Wire
CLL-LB-F-LW-8
8' Lead Wire
CLL-LB-F-LW-16
16' Lead Wire
CLL-LB-F-LW-25
25' Lead Wire
CLL-LB-F-LW-40
40' Lead Wire



- FEMALE/MALE CONNECTORS**
CLL-LB-FM-2
2' Female/Male connector
CLL-LB-FM-6
6' Female/Male connector

Factory Service

Covelum™ Outdoor is a sealed unit and must be serviced by factory.

CLL-LB-SERV
In-house service charge (per fixture).