

Low voltage electronic transformer for indoor locations.



Features

- Switching electronic power supply
- Constant Voltage
- Universal input voltage: 100-277V AC
- Single and multiple 12V or 24V DC outputs
- UL listed for dry/damp location box
- 5 year warranty

Environmental

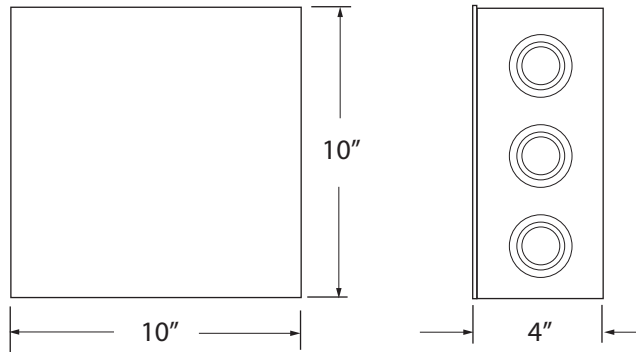
- Operating temperature: -40°C to +80°C (Full load)
- Storage temperature: -65°C to +90°C
- Heat Dissipation: Convection

Mechanical Specification

- Steel enclosure
- Internal holes for wall mount and ½” knockouts for conduit and fittings
- NEMA 1 rated

Electrical Data

- Secondary circuit maximum protection for Class 2 circuits: 5A for 12V DC 4A for 24V DC
- Voltage regulated
- Voltage regulated +/-3%
- Auto overload / short circuit / over voltage protection

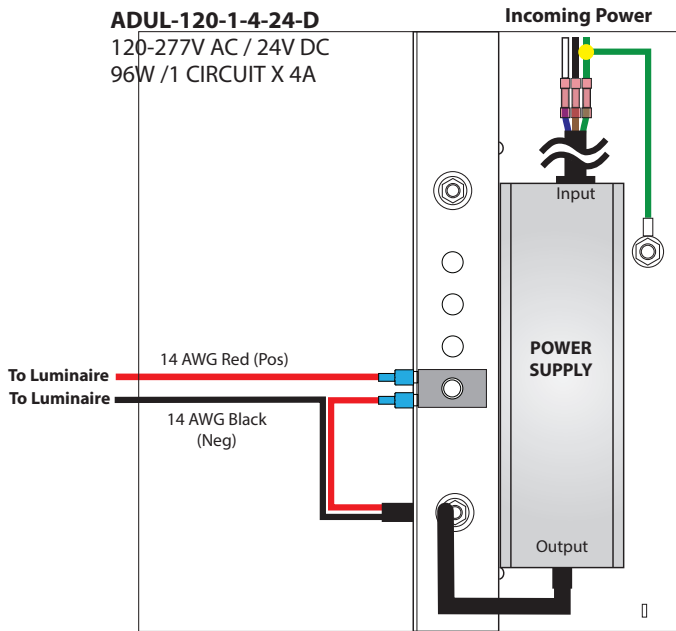


Ordering Information

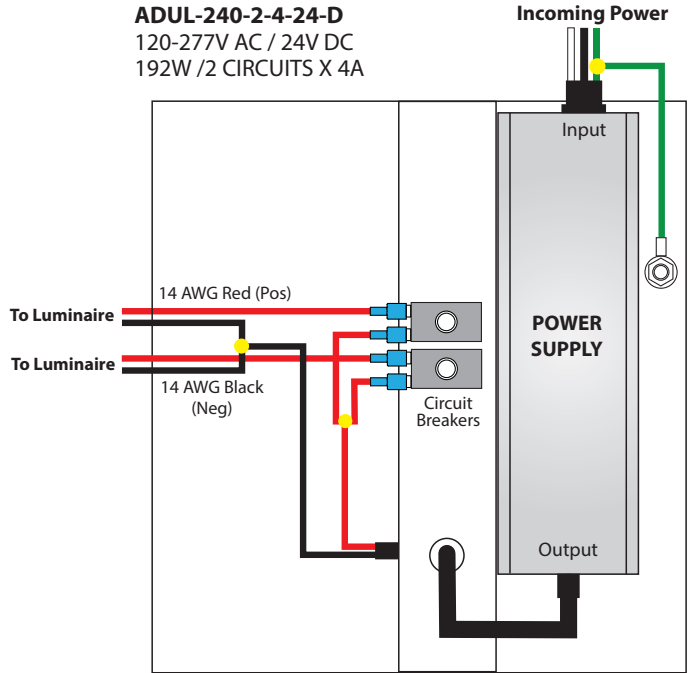
DESCRIPTION	CAT NO	APPLICATION	PRIMARY VOLTAGE		CIRCUIT BREAKERS	MAX LOAD	CIRCUIT CAPACITY	DIMENSION
ADUL Series Class 1 Transformer	ADUL-240-1-15-12-D	Indoor or Damp Protected	100-277V AC 5% HZ	12V DC	1	180W	15A	10.00" W X 10.00" L X 4.00" D
	ADUL-320-1-12-24-D			24V DC	1	288W	12A	

DESCRIPTION	CAT NO	APPLICATION	PRIMARY VOLTAGE		CIRCUIT BREAKERS	MAX LOAD	CIRCUIT CAPACITY	DIMENSION
ADUL Series Class 2 Transformer	ADUL-80-1-5-12-D	Indoor or Damp	100-277V AC 5% HZ	12V DC	1	60W	5A	10.00" W X 10.00" L X 4.00" D
	ADUL-150-2-5-12-D				2	2x60W	2x5A	
	ADUL-240-3-5-12-D				3	3x60W	3x5A	
	ADUL-320-4-5-12-D				4	4x60W	4x5A	
	ADUL-120-1-4-24-D			24V DC	1	96W	4A	
	ADUL-240-2-4-24-D				2	2x96W	2x4A	
	ADUL-320-3-4-24-D				3	3x96W	3x4A	

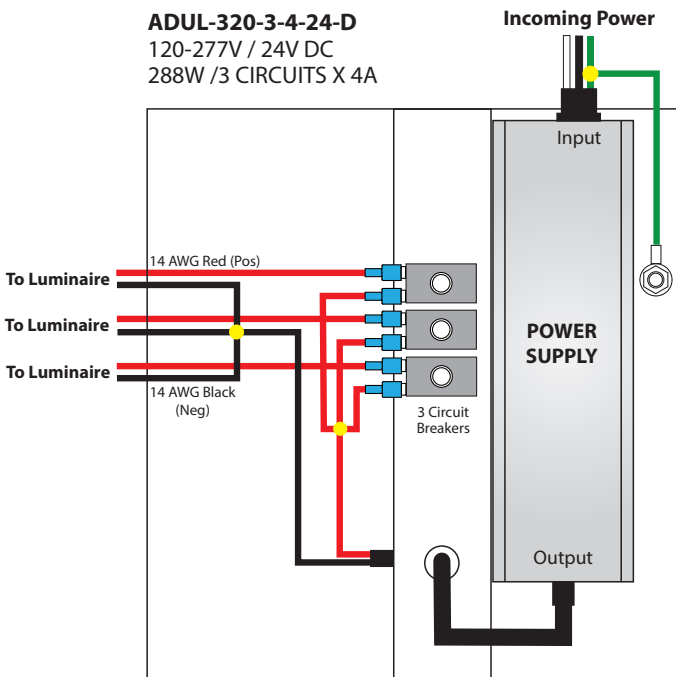
ADUL-120-1-4-24-D
120-277V AC / 24V DC
96W / 1 CIRCUIT X 4A



ADUL-240-2-4-24-D
120-277V AC / 24V DC
192W / 2 CIRCUITS X 4A



ADUL-320-3-4-24-D
120-277V / 24V DC
288W / 3 CIRCUITS X 4A



ADUL-320-4-5-12-D
120-277V AC / 12V DC
240W / 4 CIRCUITS X 5A

