

CAT:	FEET:
------	-------

TYPE:	PROJECT:
-------	----------



Engineered for cost effective dynamic back lighting of translucent walls, panels, and canopies in SB 90CRI TivoTape single color white illumination. LED flexible strips are mounted to clear plastic strips with pre-drilled mounting holes for a simplified installation. Illumiwall™ easy snap in strips snap into connectors on a surface mountable rail that contain the wiring providing a clean and robust installation.

- Cost effective dynamic back lighting
- Easy installation
- Modular
- Available in static color
- No pixilation @ 3" OC spacing

Mounting

Strips mount with 3" O.C. spacing between runs to create even back lighted illumination. System may be mounted vertically or horizontally.

Applications

Back lighted illumination behind translucent materials; acrylic, glass and resin with no hot spots at minimum 3" depth.

Warranty

5 years

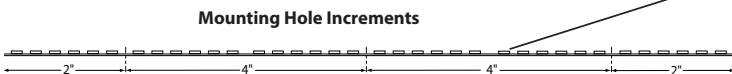


Technical Information

Illumiwall Light Strips

*Lumens/ft.	227
*Lumens/SQ.ft.	908
*Watts/ft.	3
*Watts/SQ. ft.	12
CRI	>90
Kelvin Temp	2200K (± 50K), 2400K (± 50K), 2700K (±75K), 3000K (±75K), 3500K (±100), 4000K (±100), 5000K (±100)
Rated Life	50,000 hrs.
Max run length	32'
Order Increment	1'
Cut Increments	2"
Operating Voltage	24V DC
Power Supply	Class 2
Dimmable	Yes

* Based on 3000K

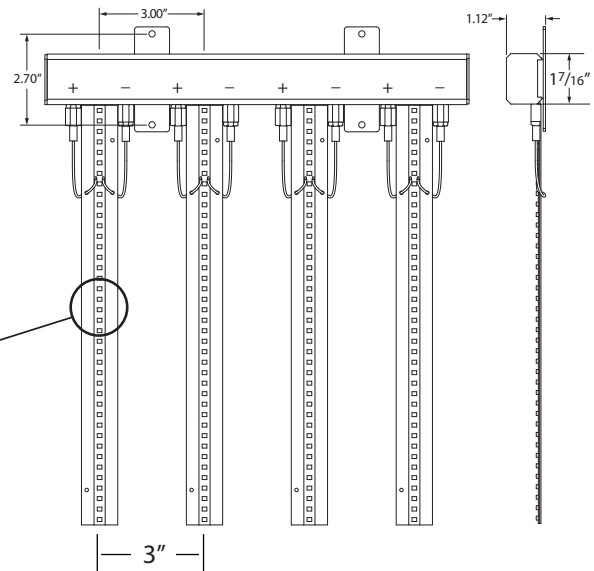


Illumiwall Connector Track

Construction	Aluminum Extrusion
Power Supply	Class 2
Operating Voltage	24V
System Strip Spacing O.C.	3"

Profile Dimensions / Cutting Increments

Connection Track is manufactured as a complete unit with 3/16" DIA mounting screw holes every 12" along the length.





Recommended Power Supplies

ADUL - NON DIMMING

DESCRIPTION	CAT NO	APPLICATION	PRIMARY VOLTAGE	SECONDARY VOLTAGE	CIRCUIT BREAKERS	MAX LOAD	CIRCUIT CAPACITY
ADUL Series Class 2 Transformer	ADUL-120-1-4-24-D	Indoor / Damp	100-277V AC 5ø60 HZ	24V DC	1	96W	4A
	ADUL-240-2-4-24-D				2	2x96W	2x4A
	ADUL-320-3-4-24-D				3	3x96W	3x4A

ADUL - 0-10V DIMMING

DESCRIPTION	CAT NO	APPLICATION	PRIMARY VOLTAGE	SECONDARY VOLTAGE	CIRCUIT BREAKERS	MAX LOAD	CIRCUIT CAPACITY
ADUL Series Class 2 Transformer	ADUL-120-1-4-24-DOT	Indoor / Damp	100-277V AC 5ø60 HZ	24V DC	1	96W	4A
	ADUL-240-2-4-24-DOT				2	2x96W	2x4A
	ADUL-320-3-4-24-DOT				3	3x96W	3x4A

ADUL - DMX SINGLE ADDRESS

DESCRIPTION	CAT NO	APPLICATION	PRIMARY VOLTAGE	SECONDARY VOLTAGE	CIRCUIT BREAKERS	MAX LOAD	CIRCUIT CAPACITY
ADUL Series Class 2 Transformer	ADUL-120-1-4-24-DIN	Indoor / Damp	100-277V AC 5ø60 Hz	24V DC	1	96W	4A
	ADUL-240-2-4-24-DIN				2	2x96W	2x4A
	ADUL-320-3-4-24-DIN				3	3x96W	3x4A

ADUL - DMX MULTI ADDRESS

DESCRIPTION	CAT NO	APPLICATION	PRIMARY VOLTAGE	SECONDARY VOLTAGE	CIRCUIT BREAKERS	MAX LOAD	CIRCUIT CAPACITY
ADUL Series Class 2 Transformer	ADUL-240-2-4-24-DIN-2	Indoor / Damp	100-277V AC 5ø60 Hz	24V DC	2	2x96W	2x4A
	ADUL-320-3-4-24-DIN-3				3	3x96W	3x4A

INFINITY - MLV / ELV / 0-10V / PWM / TRIAC

DESCRIPTION	CAT NO	APPLICATION	PRIMARY VOLTAGE	SECONDARY VOLTAGE	CIRCUIT BREAKERS	MAX LOAD	MIN LOAD	CIRCUIT CAPACITY
Infinity Series Class 2 Transformer	INF-J-30-1-1.3-24	Indoor / Outdoor	100 - 277V AC	24VDC	1	30W	3W	1.3A
	INF-J-60-1-2.5-24				1	60W	6W	2.5A
	INF-J-96-1-4-24				1	96W	9W	4A
	INF-J-192-2-4-24				2	2x96W	2x9W	2x4A
	INF-J-288-3-4-24				3	3x96W	3X9W	3x4A

Recommended Dimmers

DIMMING - 0-10V

DESCRIPTION	CAT NO	APPLICATION	INPUT VOLTAGE	OUTPUT VOLTAGE	MAX LOAD
0-10V Dimmer	DIM-LD-010	Indoor	24V DC	24V DC	30 mA max. output (sink only)

DIMMING - MLV

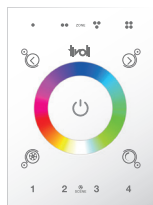
DESCRIPTION	CAT NO	APPLICATION	INPUT VOLTAGE	OUTPUT VOLTAGE	MAX LOAD
MLV Dimmer	N-600	Indoor	120V AC	120V AC	450W
	N-1000				800W
	N-1500				1200W
	D-600				450W
	M-600				450W
	M-1000				800W

DIMMING - ELV

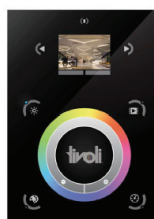
DESCRIPTION	CAT NO	APPLICATION	INPUT VOLTAGE	OUTPUT VOLTAGE	MAX LOAD
ELV Dimmer	ME-600	Indoor	120V AC	120V AC	450W
	DE-300				300W

DIMMING - DMX

DESCRIPTION	CAT NO	APPLICATION	INPUT VOLTAGE	OUTPUT PROTOCOL	MAX UNIVERSE
DMX Controller	TVOQ-1-WH	Indoor	5V DC	DMX 512	1
	TVOQ-2-BK		6V DC		
	TVOQ-2-WH				
	TVOQ-10-BK-7		6-7V DC		2
	TVOQ-10-WH-7				



TVOQ-1-WH
WH (White only)



TVOQ-10-XX-7
XX = BK (Black), WH (White)



TVOQ-2-XX
XX = BK (Black), WH (White)

Ordering Information

Illumiwall Light Strips Order Specification Guide

PRODUCT CODE	INTENSITY	WATTAGE	LED COLOR	LENGTH
ILW	S	I		
Illumiwall	S = Strip	I = Indoor	22 = 2200K 24 = 2400K 27 = 2700K 30 = 3000K 35 = 3500K 40 = 4000K 50 = 5000K	1 = 1' 2 = 2' 4 = 4' C = Custom lengths (consult factory)

Illumiwall Light Connector Track Specification Guide

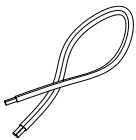
Connector track is manufactured as a complete unit with integral connectors at 3" O.C. spacing and 3/16" diameter mounting screw holes every 12" along the length. Includes factory-attached 24" lead wire.

PRODUCT CODE	INTENSITY	LENGTH
ILW	CON	
ILW = Illumiwall	CON = Connection Track	1 = 1' 2 = 2' 4 = 4' C = Custom lengths (consult factory)

Length - Connector Chart

1 foot length (4 connections)	5 foot length (20 connections)
2 foot length (8 connections)	6 foot length (24 connections)
3 foot length (12 connections)	7 foot length (28 connections)
4 foot length (16 connections)	8 foot length (32 connections)

Wiring End Prep Options



ILW-2W-I-XEP

Extra lead wire
Additional factory attached 18ga lead wire to extend standard lead wire length to 20 ft max. Sold per foot (not shipped as spooled wire).