

# ADNM | NEMA 3 (DMX Color Mixing)



Use with Tivoli RGB and RGBW products.



### Features

- Switching electronic power supply
- Constant Voltage
- Universal input voltage: 100-277V AC
- Single and multiple 12V or 24V DC outputs
- NEMA 3R Rain-tight enclosure for wet locations
- 5 year warranty

### Environmental

- MTBF: 100,000 hrs. at full load and 25°C
- Operating temperature: -40°C - +80°C (Full load)
- Storage temperature: -65°C - +90°C
- Heat dissipation: Convection

### Mechanical Specification

- Steel enclosure
- Bracket mount and 1/2" knockouts for conduit and fittings

### Electrical Data

- Secondary circuit maximum protection for Class 2 circuits: 4A, 24V DC and 5A, 12V DC
- Voltage regulated
- Voltage regulated +/-3%
- Auto overload / short circuit / over voltage protection



## Ordering Information

Single Sub-Controller (controls all circuits)

DESCRIPTION	CAT NO	APPLICATION	PRIMARY VOLTAGE	SECONDARY VOLTAGE	CIRCUIT BREAKERS	MAX LOAD	CIRCUIT CAPACITY	DIMENSION		
ADNM Series Class 2 Transformer	ADNM-60-1-5-12-DIN	INDOOR / OUTDOOR	100-277V AC 50/60 Hz	12V DC	1	60W	5A	6" W X 8" L X 4" D		
	ADNM-80-1-5-12-DIN				1	80W	5A	12" W X 12" L X 4" D		
	ADNM-150-2-5-12-DIN				2	2x60W	2x5A			
	ADNM-240-3-5-12-DIN				3	3x60W	3x5A			
	ADNM-320-4-5-12-DIN			4	4x60W	4x5A				
	ADNM-90-1-4-24-DIN					24V DC	1	90W	4A	6" W X 8" L X 4" D
	ADNM-120-1-4-24-DIN						1	96W	4A	12" W X 12" L X 4" D
	ADNM-240-2-4-24-DIN						2	2x96W	2x4A	
ADNM-320-3-4-24-DIN	3	3x96W	3x4A							

#### ADNM-60-1-5-12-DIN\*

100-277V AC / 12V DC, 60W /1 CIRCUIT X 5A

#### ADNM-90-1-4-24-DIN\*

100-277V AC / 24V DC, 90W /1 CIRCUIT X 4A

Box Size: 6" W X 8" L X 4" D (NEMA 3)

#### ADNM-80-1-5-12-DIN

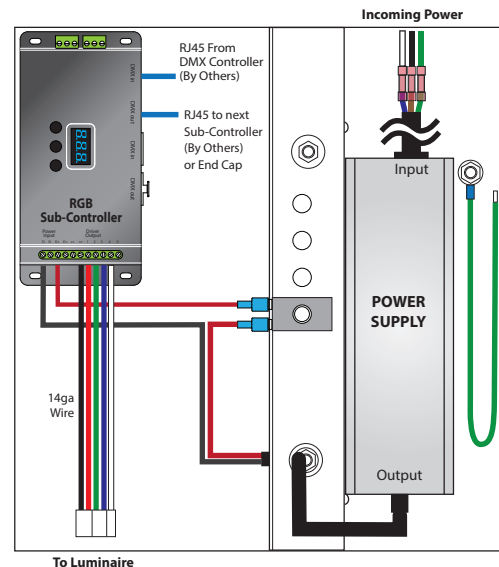
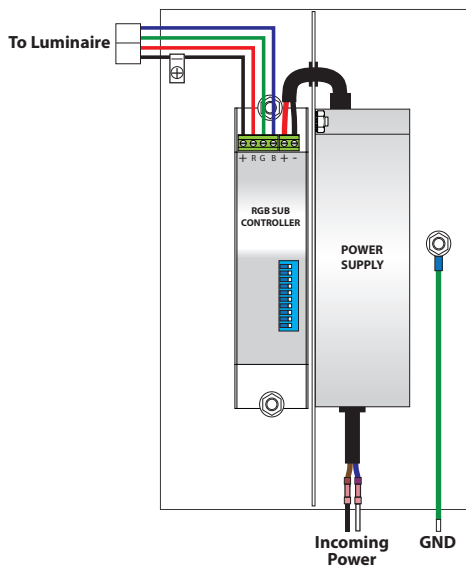
100-277V AC / 12V DC, 60W /1 CIRCUIT X 5A

#### ADNM-120-1-4-24-DIN

100-277V AC / 24V DC, 96W /1 CIRCUIT X 4A

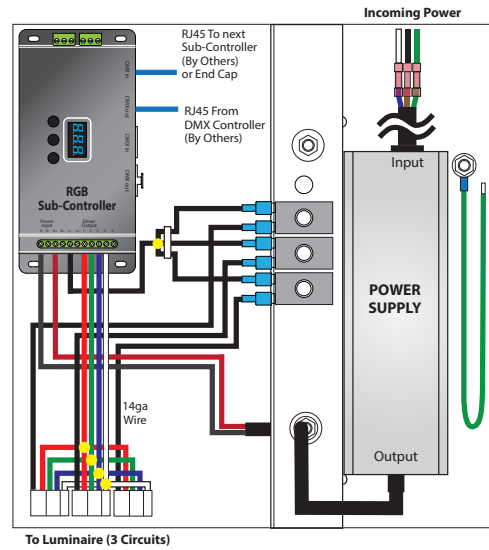
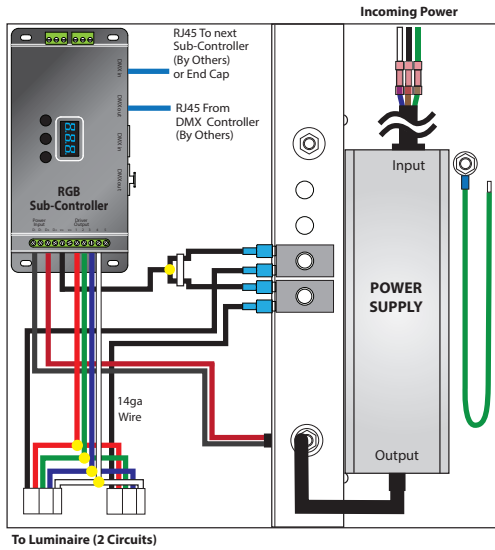
Box Size: 12" W X 12" L X 4" D (NEMA 3)

\*Not suitable for RGBW



**ADNM-150-2-5-12-DIN**  
 100-277V AC / 12V DC, 120W / 2 CIRCUITS X 5A  
**ADNM-240-2-4-24-DIN**  
 100-277V AC / 24V DC, 192W / 2 CIRCUITS X 4A  
 Box Size: 12"W X 12"L X 4" D (NEMA 3)

**ADNM-240-3-5-12-DIN**  
 100-277V AC / 12V DC, 180W / 3 CIRCUITS X 5A  
**ADNM-320-3-4-24-DIN**  
 100-277V AC / 24V DC, 288W / 3 CIRCUITS X 4A  
 Box Size: 12"W X 12"L X 4" D (NEMA 3)



Multi Sub-Controller (separate control of each circuit)

DESCRIPTION	CAT NO	APPLICATION	PRIMARY VOLTAGE	SECONDARY VOLTAGE	CIRCUIT BREAKERS	MAX LOAD	CIRCUIT CAPACITY	DIMENSION
ADNM Series Class 2 Transformer	ADNM-150-2-5-12-DIN-2	INDOOR / OUTDOOR	100-277V AC 5% <sub>60</sub> Hz	12V DC	2	2x60W	2x5A	12"W X 12"L X 4" D
	ADNM-240-3-5-12-DIN-3				3	3x60W	3x5A	16"W X 16"L X 4" D
	ADNM-240-2-4-24-DIN-2			24V DC	2	2x96W	2x4A	12"W X 12"L X 4" D
	ADNM-320-3-4-24-DIN-3				3	3x96W	3x4A	16"W X 16"L X 4" D

**ADNM-150-2-5-12-DIN-2**  
 100-277V AC / 12V DC, 120W / 2 CIRCUITS X 5A  
**ADNM-240-2-4-24-DIN-2**  
 100-277V AC / 24V DC, 192W / 2 CIRCUITS X 4A  
 Box Size: 12"W X 12"L X 4" D (NEMA 3)

**ADNM-240-3-5-12-DIN-3**  
 100-277V AC / 12V DC, 180W / 3 CIRCUITS X 5A  
**ADNM-320-3-4-24-DIN-3**  
 100-277V AC / 24V DC, 288W / 3 CIRCUITS X 4A  
 Box Size: 16"W X 16"L X 4" D (NEMA 3)

